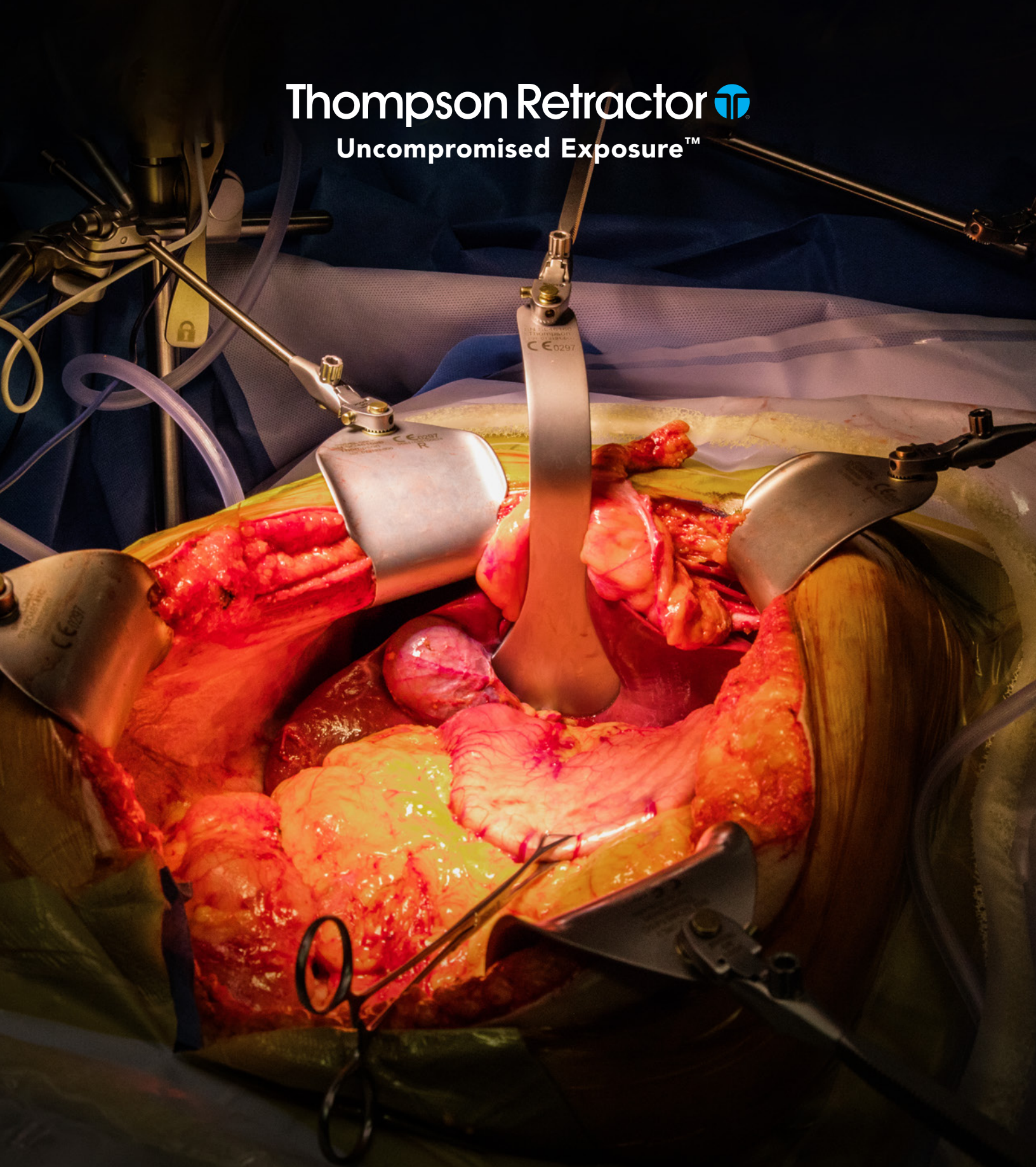


Thompson Retractor

Uncompromised Exposure™



GENERAL CATALOG

General - Vascular - Transplant - Oncology - Urology - GYN - Pediatric

Thompson Surgical Instruments, Inc. is the market leader in surgical retraction and the original manufacturer of the table mounted retractor.

CONTENTS:

Catalog Sections

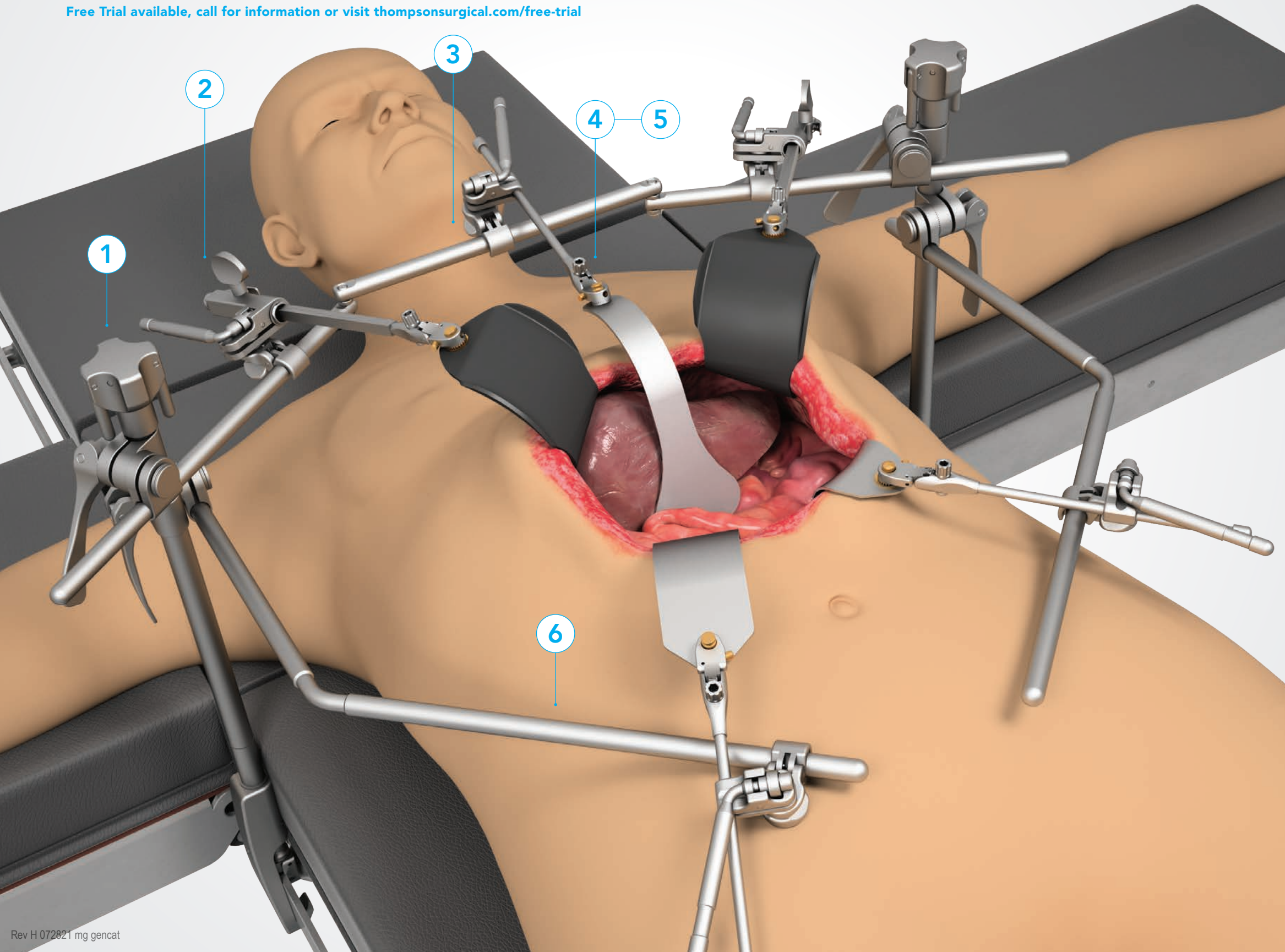
Exclusive Features.....	4-5
Systems / Suggested Set Ups.....	6-43
System Frame Components + Accessories.....	44-59
S-Lock® Retractor Blades	60-73
Product Index.....	74-81

Thompson Retractor Exclusive Features

Uncompromised Exposure

General/Vascular, Transplant, and Oncology surgeons will benefit from the Thompson Retractor's ability to provide Uncompromised Exposure for a variety of procedures ranging from basic to complex liver, abdominal, and pelvic cases.

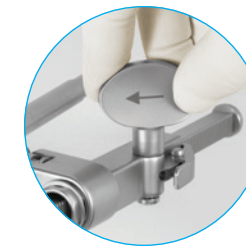
Free Trial available, call for information or visit thompsonsurgical.com/free-trial



Uncompromised Exposure™



1. Sterile Mount Rail Clamp
Attachment to table and adjustments are achieved within the sterile field.



2. Micro-Adjustable Technology
Micro-Adjustable Handles enable increased leverage and precise blade retraction with micro-adjustability.



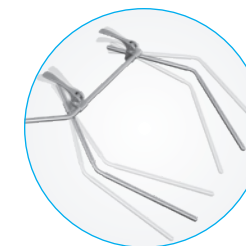
3. NEW "Pinch" Joints
Effortlessly remove handles from the frame.



4. NEW Quick Angle Handles
Blades are quickly and precisely angled in or out 45° with fingers or T-Handle.

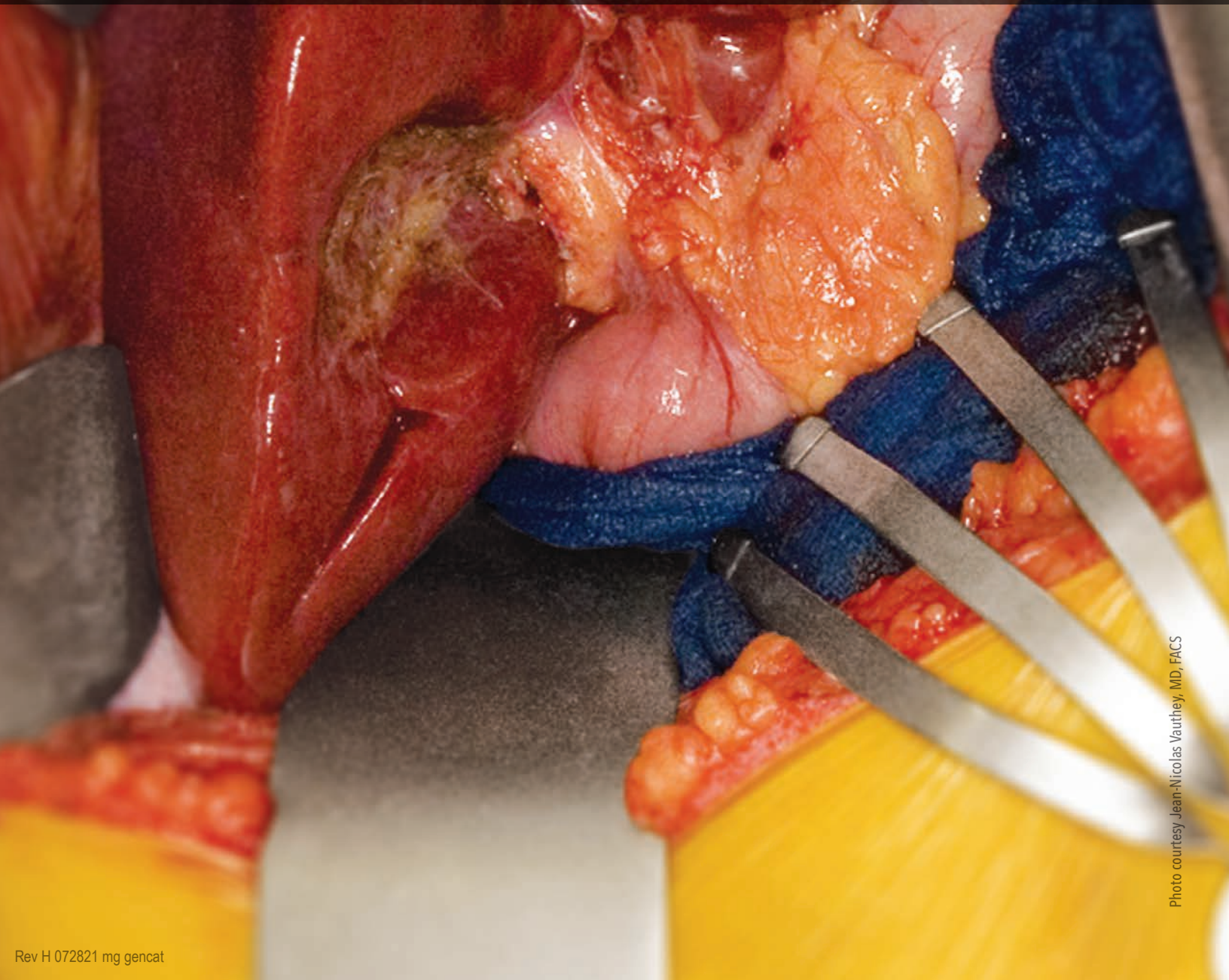


5. NEW S-Lock® Technology
Swivel 360° or lock in any position. Easily switch from 'swivel' to 'locked' with the push of a button.



6. Independent Retraction
Frame arms are independently adjusted, providing more control.

In use for over fifty years, the Thompson Retractor is the only mechanical retractor to offer one frame for all exposure needs, multi-planed independent retraction, and unlimited customization.



SYSTEMS:

Suggested System Set Ups

General / Vascular

- Anterior Lumbar System 8-9
- Anterior Lumbar Ring System..... 10-11
- Colon / Rectal System 12-13
- General / Vascular System..... 14-15
- Small Incision System 16-17
- Trauma System 18-19
- also see Bariatric System 20-21

Transplant / Oncology

- Bariatric System 20-21
- Breast System 22-23
- HIPEC System..... 24-25
- Liver / Oncology System 26-27
- Radiolucent Liver / Oncology System 28-29
- also see Kidney System 30-31

Urology

- Kidney System 30-31
- Urologic Oncology System..... 32-33
- Urology System 34-35
- also see Laparoscopic 42-43

GYN

- GYN Oncology System..... 36-37
- GYN System 38-39
- also see Laparoscopic 42-43

Pediatric

- Pediatric System 40-41
- also see Laparoscopic 42-43

Laparoscopic

- Laparoscopic Holders..... 42-43

Anterior Lumbar System COMPONENTS

ANTERIOR LUMBAR SYSTEM

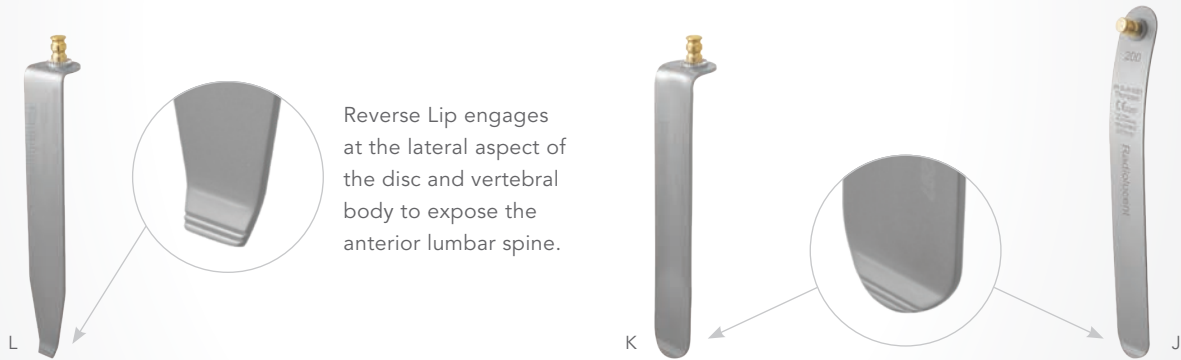
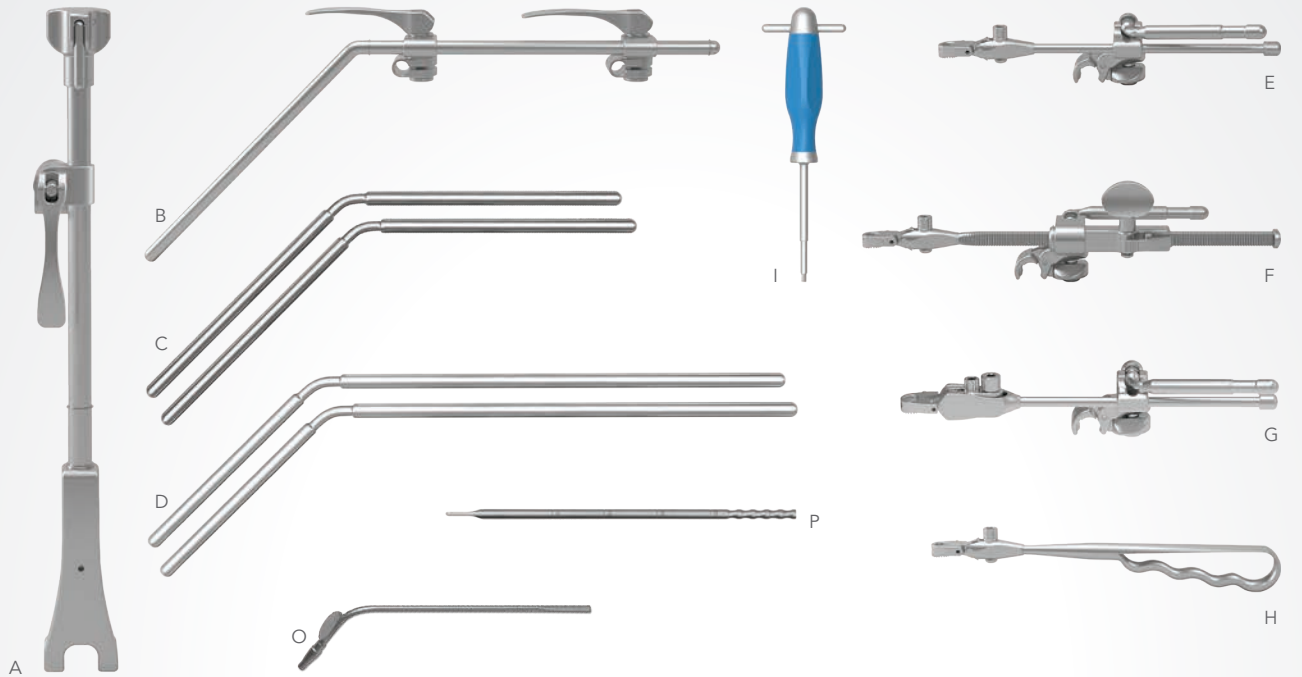
#SL82019

(ANTERIOR LUMBAR SYSTEM #SL82019 CONTINUED)

REF	PART #	ITEM DESCRIPTION	QTY
Tray 1			
A	43902ACL	Elite III Rail Clamp with 1 Cam Joint 16"	1
B	43900BC	24" Crossbar with 2 Cam III Joints	1
C	44120	20" Angled Arm (10" x 10") @ 45°	2
D	44124N	24" Angled Arm (8" x 16") @ 45°	2
E	SL42126WGP	Cam II Clip-on Quick Angle 8"	5
F	SL45006CGP	Micro-Adjustable II Clip-on Quick Angle 10"	1
G	SL42126WDP	Cam II Clip-on Dual Angle 8"	2
H	SL42128G	Quick Angle Hand Held Adapter	1
I	60021	Hex Tool 3/16" with T-Handle	2
	50000G	Instrument Case 23" x 11" x 3 1/2"	1
Tray 2			
J	SL46192ET	Radio. Reverse Lip Malleable 25mm x 200mm	2
	SL46193ET	Radio. Reverse Lip Malleable 32mm x 200mm	2
	SL46260RET	Radiolucent Reverse Lip 25mm x 100mm	2
	SL46261RET	Radiolucent Reverse Lip 25mm x 110mm	2
	SL46262RET	Radiolucent Reverse Lip 25mm x 120mm	2
	SL46263RET	Radiolucent Reverse Lip 25mm x 130mm	2
K	SL46265RET	Radiolucent Reverse Lip 25mm x 150mm	2
	SL46267RET	Radiolucent Reverse Lip 25mm x 170mm	2
	SL46269RET	Radiolucent Reverse Lip 25mm x 190mm	2
	SL46271RET	Radiolucent Reverse Lip 25mm x 210mm	2
	SL46273RET	Radiolucent Reverse Lip 25mm x 230mm	2
	SL46275RET	Radiolucent Reverse Lip 25mm x 250mm	2
	SL46280RET	Radiolucent Reverse Lip 32mm x 100mm	2
	SL46282RET	Radiolucent Reverse Lip 32mm x 120mm	2
	SL46284RET	Radiolucent Reverse Lip 32mm x 140mm	2
	SL46286RET	Radiolucent Reverse Lip 32mm x 160mm	2
	SL46288RET	Radiolucent Reverse Lip 32mm x 180mm	2
	SL46290RET	Radiolucent Reverse Lip 32mm x 200mm	2
	SL46292RET	Radiolucent Reverse Lip 32mm x 220mm	2
	SL46293RET	Radiolucent Reverse Lip 32mm x 230mm	2
	SL46294RET	Radiolucent Reverse Lip 32mm x 240mm	2
	SL46295RET	Radiolucent Reverse Lip 32mm x 250mm	2
	SL46260TET	Radio. Reverse Lip Tapered 25mm x 100mm	2

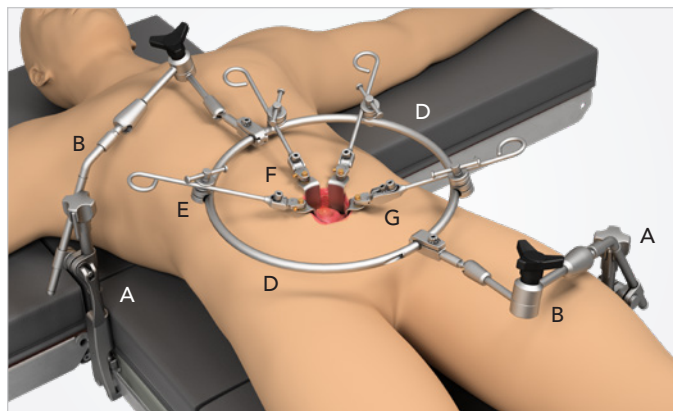
REF	PART #	ITEM DESCRIPTION	QTY
L	SL46265TET	Radio. Reverse Lip Tapered 25mm x 150mm	2
	SL46270TET	Radio. Reverse Lip Tapered 25mm x 200mm	2
M	SL46119BET	Radio. Malleable Concave Round Neck Renal 25mm x 140mm	2
N	SL46119CET	Radiolucent Malleable Concave Round Neck Renal 25mm x 190mm	2
	SL46564	Radio. Conc. Short Neck Renal 25mm x 140mm	4
	SL46569	Radio. Conc. Short Neck Renal 25mm x 190mm	4
	SL46575	Radio. Conc. Short Neck Renal 25mm x 250mm	4
O	51234	Suction for Anterior Lumbar Surgery	1
P	51236	Anterior Lumbar Depth Gauge 335mm	1
	50000ERL	Instrument Case - Exp. Reverse Lip ASA	1
Tray 3			
	SL46558	Radio. Concave Short Neck Renal 25mm x 80mm	4
Q	SL46560	Radio. Conc. Short Neck Renal 25mm x 100mm	4
	SL46562	Radio. Conc. Short Neck Renal 25mm x 120mm	4
R	SL46564	Radio. Conc. Short Neck Renal 25mm x 140mm	4
	SL46566	Radio. Conc. Short Neck Renal 25mm x 160mm	4
S	SL46568	Radio. Conc. Short Neck Renal 25mm x 180mm	4
	SL46570	Radio. Conc. Short Neck Renal 25mm x 200mm	4
	50000ALR	Instrument Case - AL Renal Vein Blades	1
Tray 4			
	SL46119BET	Radiolucent Malleable Concave Round Neck Renal 25mm x 140mm	2
	SL46119CET	Radiolucent Malleable Concave Round Neck Renal 25mm x 190mm	2
	SL46119RET	Radiolucent Long Neck Renal 25mm x 140mm	2
	SL46120RET	Radiolucent Long Neck Renal 25mm x 190mm	2
	SL46121RET	Radiolucent Long Neck Renal 25mm x 255mm	2
T	SL46122ET	Radio. Malleable 51mm x 203mm (2" x 8")	2
U	SL46140ET	Radio. Balfour 65mm x 72mm (2 1/2" x 2 3/4")	2
	SL46141ET	Radio. Balfour 83mm x 70mm (3 1/4" x 2 3/4")	1
V	SL46145ET	Radio. Splanchnic 51mm x 115mm (2" x 4 1/2")	1
W	SL46160ET	Radio. Harrington 64mm x 152mm (2 1/2" x 6")	1
	SL46176ET	Radiolucent Deaver 76mm x 127mm (3" x 5")	1
	51234	Suction for Anterior Lumbar Surgery	1
	50000ALT	Instrument Case - Anterior Lumbar	1

Anterior Lumbar System COMPONENTS



NEW Anterior Lumbar Ring System COMPONENTS

Anterior Lumbar Access



ANTERIOR LUMBAR RING SYSTEM #SL82023

REF	PART #	ITEM DESCRIPTION	QTY
Tray 1			
A	43902ACS	Elite III Rail Clamp w/1 Cam Joint 11"	2
B	44615FH	14" Extension Arm with Fixed Hinge Joint	2
C	44223	Ring Extension 4"	2
D	44224	Ring Frame Half 13 1/2"	2
E	42100	Circle Joint 1/2" x 1/4"	5
F	SL42102	Free Angle Handle	3
G	SL42101	Dual Angle Handle	2
H	SL42126WGLP	Cam II Clip-on Quick Angle 10"	2
I	SL45011CGP	Mini Micro-Adjustable II Clip-on Quick Angle 9"	1
J	60021	Hex Tool 3/16" with T-Handle	1
K	60020	T-Handle	1
	SL46432ET	Radio. Richardson 50mm x 160mm (2" x 6 1/4")	1
L	SL46434ET	Radio. Richardson 50mm x 180mm (2" x 7")	1
	SL46436ET	Radio. Richardson 50mm x 200mm (2" x 7 7/8")	1
	50000G	Instrument Case (23" x 11" x 3 1/2")	2
Tray 2			
M	SL46558	Radiolucent Concave Short Neck Renal 25mm x 80mm (1" x 3 1/8")	4
N	SL46560	Radiolucent Concave Short Neck Renal 25mm x 100mm (1" x 4")	4
O	SL46562	Radiolucent Concave Short Neck Renal 25mm x 120mm (1" x 4 3/4")	4
P	SL46564	Radiolucent Concave Short Neck Renal 25mm x 140mm (1" x 5 1/2")	4
Q	SL46566	Radiolucent Concave Short Neck Renal 25mm x 160mm (1" x 6 1/4")	4

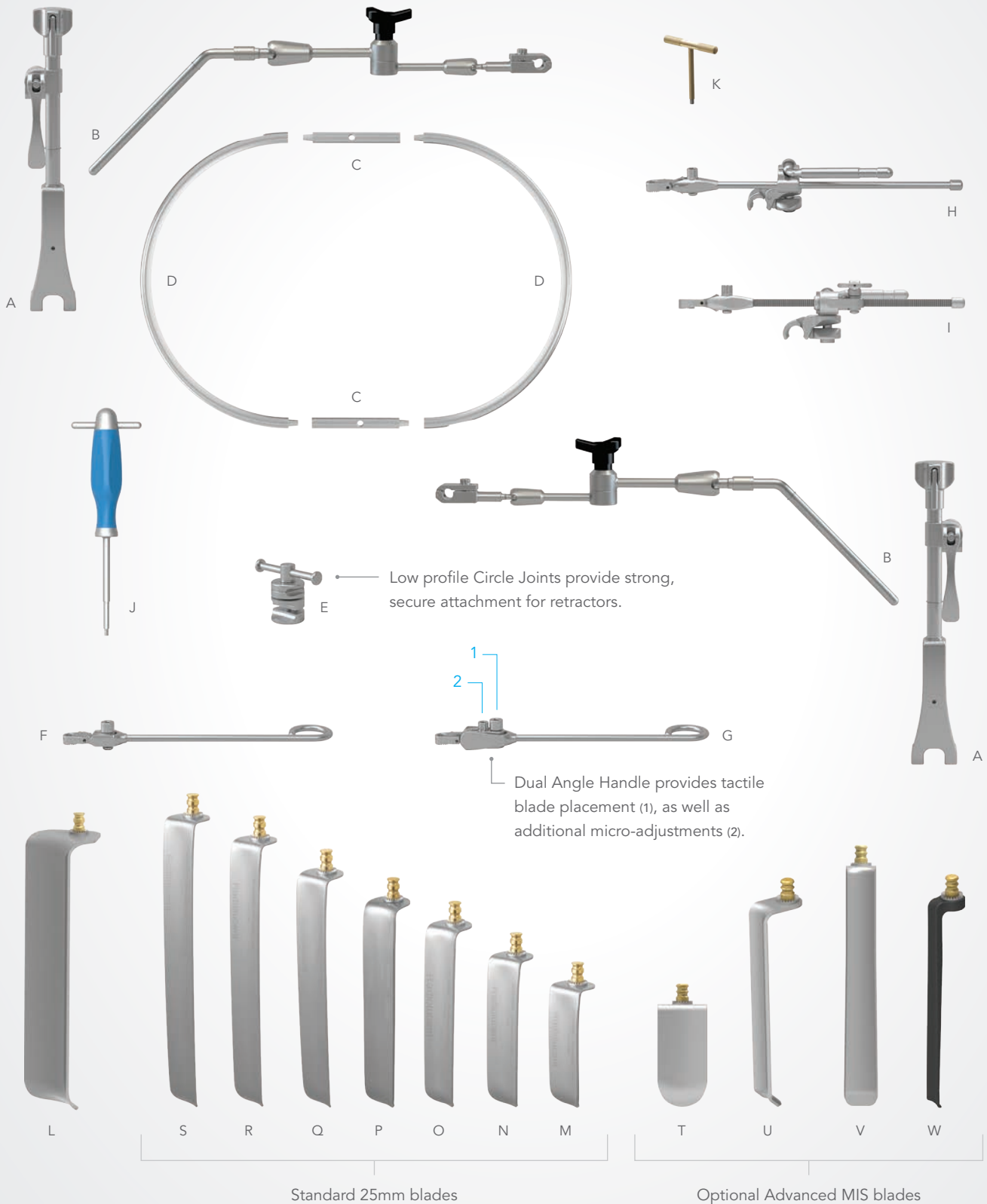
(ANTERIOR LUMBAR RING SYSTEM #SL82023 CONTINUED)

REF	PART #	ITEM DESCRIPTION	QTY
R	SL46568	Radiolucent Concave Short Neck Renal 25mm x 180mm (1" x 7")	4
S	SL46570	Radiolucent Concave Short Neck Renal 25mm x 200mm (1" x 7 7/8")	4
	50000ALR	Instrument Case - AL Renal Vein	1

AL ADVANCED MIS BLADE KIT (OPTIONAL) #SL82026

REF	PART #	ITEM DESCRIPTION	QTY
Tray 1			
T	SL44432	Radio. Concave 30mm x 60mm (1 1/8" x 2 3/8")	1
	SL44328	Radio. Concave 18mm x 80mm (3/4" x 3 1/8")	4
	SL44330	Radio. Concave 18mm x 100mm (3/4" x 4")	4
U	SL44332	Radio. Concave 18mm x 120mm (3/4" x 4 3/4")	4
	SL44358	Radiolucent Concave Short Neck Renal 25mm x 180mm (1" x 7")	4
	SL44360	Radiolucent Concave Short Neck Renal 25mm x 200mm (1" x 7 7/8")	4
V	SL44418	Radio. Reverse Tapered 20mm x 140mm (3/4" x 5 1/2")	4
	SL44422	Radio. Reverse Tapered 20mm x 160mm (3/4" x 6 1/4")	4
	50000RV	Instrument Tray - Renal Vein Blades	1
	50000U1	Instrument Case - Base One Level	1
	50000L	Instrument Case - Lid	1
Tray 2			
	SL44368	Radiolucent Fine Vessel 80mm (3 1/8")	2
	SL44370	Radiolucent Fine Vessel 100mm (4")	2
W	SL44372	Radiolucent Fine Vessel 120mm (4 3/4")	2
	SL44374	Radiolucent Fine Vessel 140mm (5 1/2")	2
	SL44376	Radiolucent Fine Vessel 160mm (6 1/4")	2
	SL44378	Radiolucent Fine Vessel 180mm (7")	2
	SL44380	Radiolucent Fine Vessel 200mm (7 7/8")	2
	50000FV	Instrument Tray - Fine Vessel Blades	1
	50000U1	Instrument Case - Base One Level	1
	50000L	Instrument Case - Lid	1
Tray 3			
	40020X	Lite Wand Xe	1
	40024	Lite Clip - Single Use (Radiopaque)	5
	50000LW	Instrument Case - Lite Wand	1

NEW Anterior Lumbar Ring System COMPONENTS



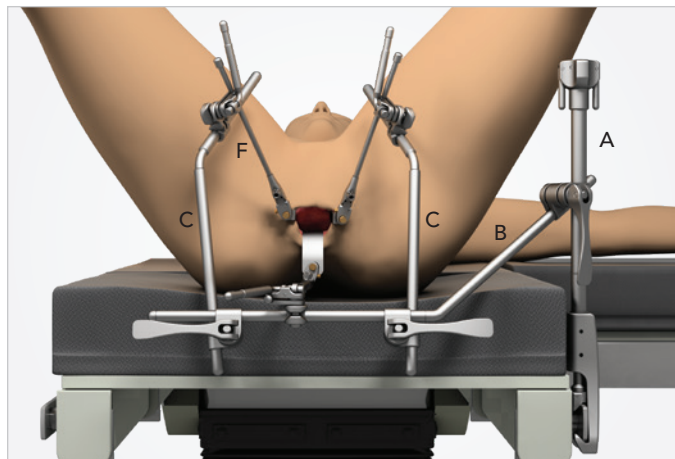
Low profile Circle Joints provide strong, secure attachment for retractors.

Dual Angle Handle provides tactile blade placement (1), as well as additional micro-adjustments (2).

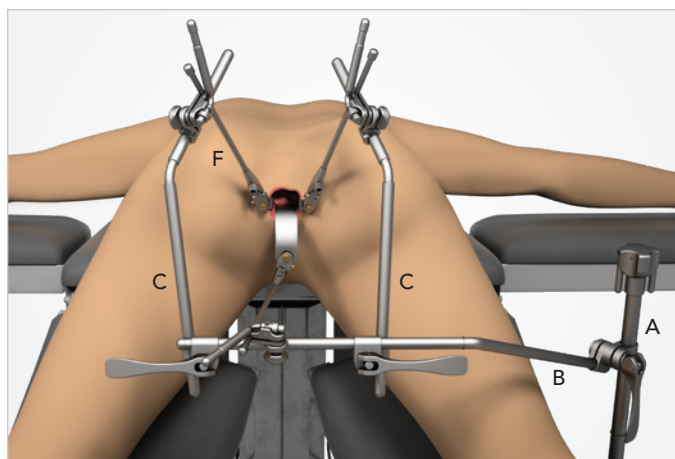
RETRACTOR SYSTEMS

Colon / Rectal System SUGGESTED SET UPS

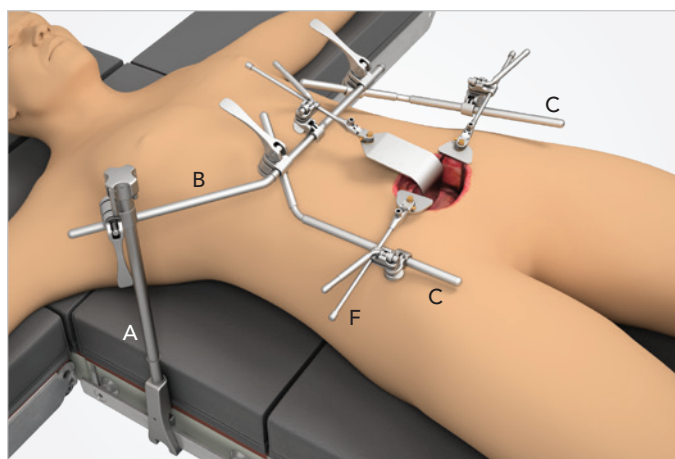
Lithotomy Colon / Rectal



Prone Jack Knife Colon / Rectal



Abdominal Colon / Rectal



COLON / RECTAL SYSTEM

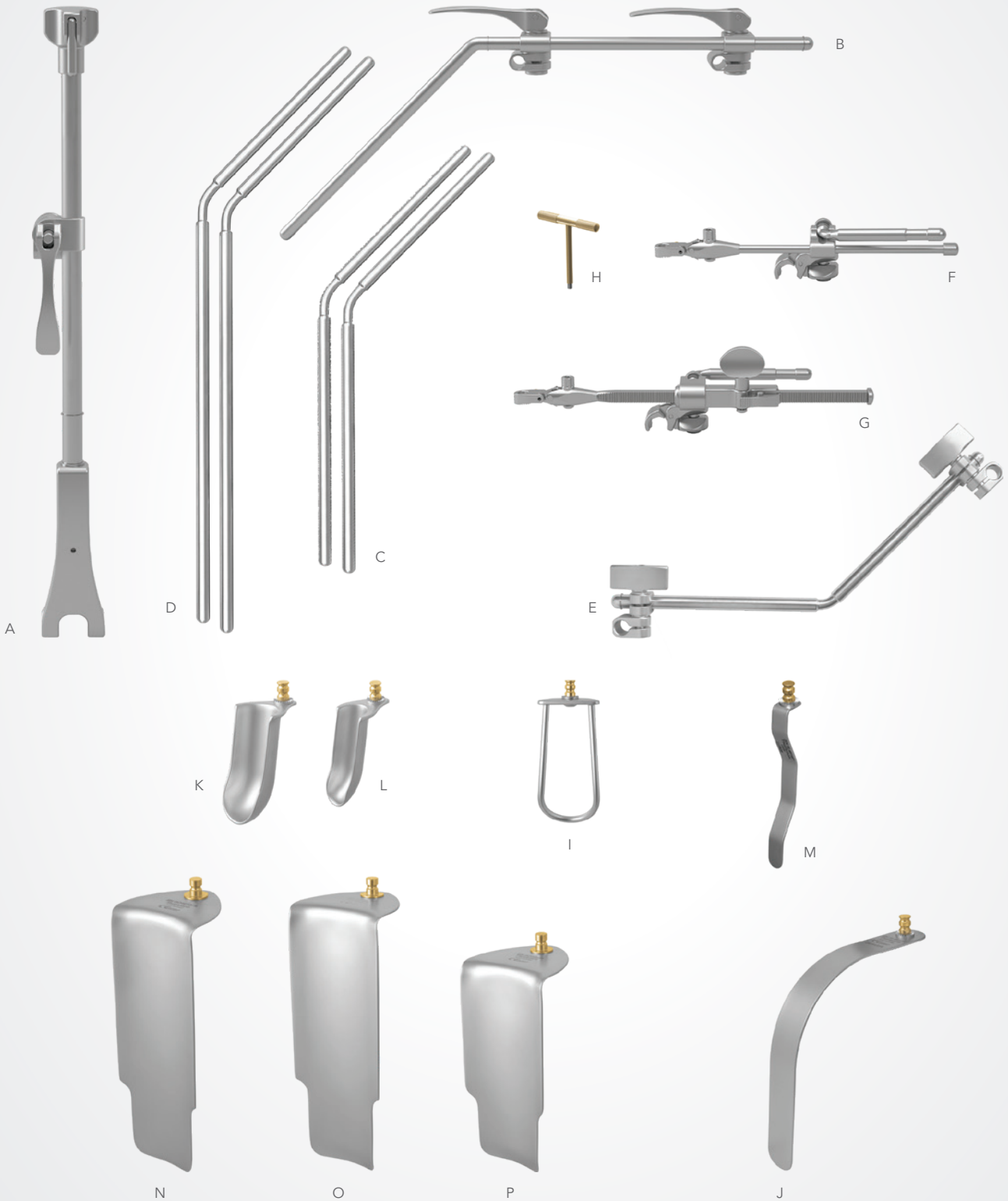
#SL82002

REF	PART #	ITEM DESCRIPTION	QTY
Tray 1			
A	43902AC	Elite III Rail Clamp with 1 Cam Joint 18"	1
B	43900BC	24" Crossbar with 2 Cam III Joints (11" x 13")	1
C	44118N	18" Angled Arm (8" x 10") @ 45°	2
D	44124N	24" Angled Arm (8" x 16") @ 45°	2
E	44118B	18" Angled Closure Arm (9" x 9")	1
	50000G	Instrument Case (23" x 11" x 3 1/2")	1
Tray 2			
F	SL42126WGP	Cam II Clip-on Quick Angle 8"	3
G	SL45006CGP	Micro-Adjustable II Clip-on Quick Angle 10"	2
H	60020	T-Handle	2
I	SL46143	Fenestrated 44mm x 89mm (1 3/4" x 3 1/2")	2
J	SL46170	Deaver 25mm x 127mm (1" x 5")	2
K	SL46185	Hill-Ferguson 32mm x 76mm (1 1/4" x 3")	1
L	SL46186	Hill-Ferguson 25mm x 64mm (1" x 2 1/2")	1
M	SL46187	Rectal Blade 13mm x 117mm (1/2" x 4 1/2")	2
N	SO46187A	St. Marks [no lip] 64mm x 178mm (2 1/2" x 7")	1
O	SO46188	St. Marks [with lip] 64mm x 178mm (2 1/2" x 7")	1
P	SO46189	St. Marks [with lip] 64mm x 140mm (2 1/2" x 5 1/2")	1
	50000G	Instrument Case (23" x 11" x 3 1/2")	1

"Thompson Surgical provides **the most hassle-free, versatile retractor**. For those complex, difficult procedures, as well as the routine, its ease of setup, strength and use, as well as lack of constant readjustment, **always provides me reliable and safe exposure.**"

- Michael Nizzi, DO, FACOS

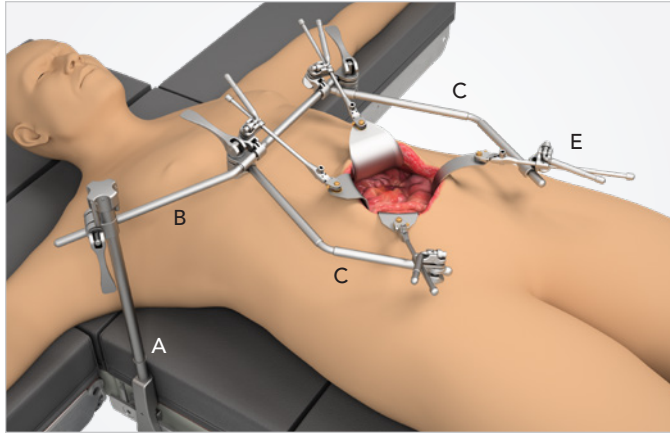
Colon / Rectal System COMPONENTS



RETRACTOR SYSTEMS

General / Vascular System SUGGESTED SET UPS

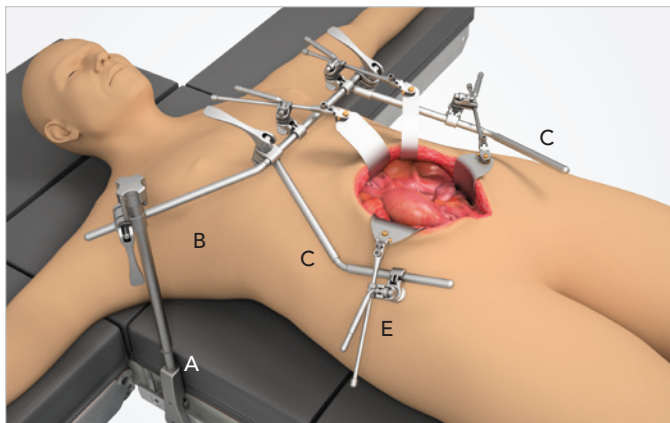
General Abdominal



(GENERAL / VASCULAR SYSTEM #SL82003 CONTINUED)

REF	PART #	ITEM DESCRIPTION	QTY
	SL46119B	Concave Round Neck Renal 25mm x 140mm (1" x 5 1/2")	2
I	SL46119C	Concave Round Neck Renal 25mm x 190mm (1" x 7 1/2")	2
J	SL46122	Malleable 51mm x 203mm (2" x 8")	2
K	SL46122V	Malleable Slotted 51mm x 203mm (2" x 8")	1
	SL46124	Malleable 64mm x 254mm (2 1/2" x 10")	1
	SO46124A	Malleable 76mm x 254mm (3" x 10")	1
	SO46124AV	Malleable Slotted 76mm x 203mm (3" x 8")	1
L	SL46125	Richardson 19mm x 25mm (3/4" x 1")	1
M	SO46129	Kelly 64mm x 76mm (2 1/2" x 3")	2
	SO46130	Kelly 76mm x 89mm (3" x 3 1/2")	1
	SO46134	Fence 102mm x 102mm (4" x 4")	1
	SO46135	Fence 102mm x 127mm (4" x 5")	1
N	SO46136	Fence 102mm x 152mm (4" x 6")	1
O	SO46140	Balfour [lips] 70mm x 73mm (2 3/4" x 3")	1
P	SO46140C	Balfour [sm lips] 70mm x 73mm (2 3/4" x 3")	2
	SO46141	Balfour [lips] 83mm x 73mm (3 1/4" x 3")	1
	SO46141C	Balfour [sm lips] 83mm x 73mm (3 1/4" x 3")	1
	SL46143	Fenestrated 44mm x 89mm (1 3/4" x 3 1/2")	2
Q	SL46144	Fenestrated 48mm x 127mm (1 7/8" x 5")	2
R	SL46145	Splanchnich 51mm x 114mm (2" x 4 1/2")	1
	SL46146	Splanchnich 51mm x 152mm (2" x 6")	1
S	SL46151	Richardson 51mm x 127mm (2" x 5")	2
T	SL46160	Harrington 64mm x 152mm (2 1/2" x 6")	1
U	SL46174	Deaver 51mm x 127mm (2" x 5")	1
	SO46176	Deaver 76mm x 127mm (3" x 5")	1
V	SO46188	St. Marks [lip] 64mm x 178mm (2 1/2" x 7")	1
W	SL46191	Malleable Finger 152mm (6")	1
X	SO46241A	Wide Balfour 83mm x 57mm (3 1/4" x 2 1/4")	1
Y	SO46241B	Wide Balfour 100mm x 61mm (4" x 2 3/8")	1
Z	SO46241C	Wide Balfour 114mm x 63mm (4 1/2" x 2 1/2")	1
	50000G	Instrument Case (23" x 11" x 3 1/2")	1

Abdominal Vascular (AAA)

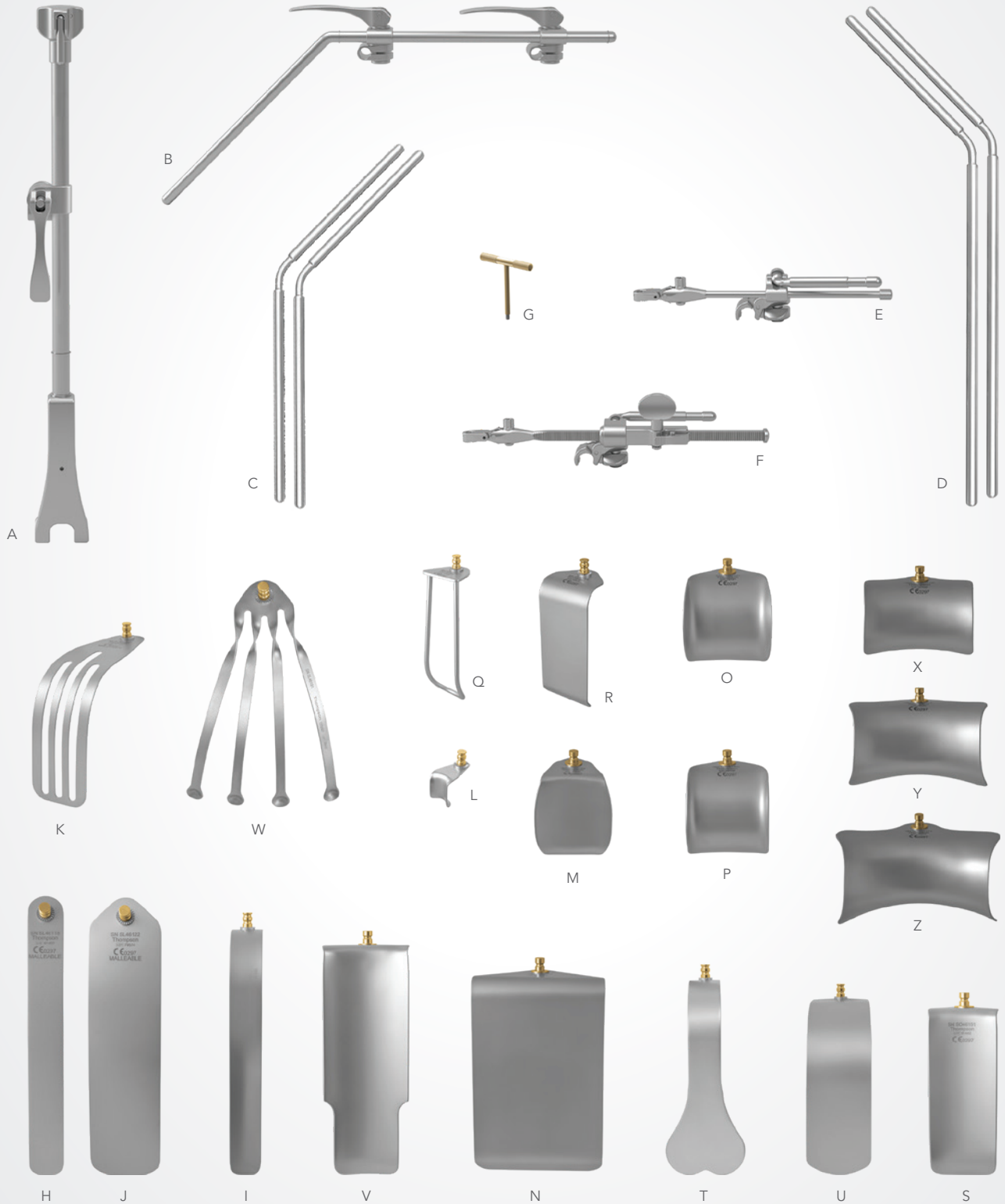


GENERAL / VASCULAR SYSTEM #SL82003

REF	PART #	ITEM DESCRIPTION	QTY
Tray 1			
A	43902AC	Elite III Rail Clamp with 1 Cam Joint 18"	1
B	43900BC	24" Crossbar with 2 Cam III Joints (11" x 13")	1
C	44120	20" Angled Arm (10" x 10") @ 45°	2
D	44124N	24" Angled Arm (8" x 16") @ 45°	2
E	SL42126WGP	Cam II Clip-On Quick Angle 8"	5
F	SL45006CGP	Micro-Adjustable II Clip-On Quick Angle 10"	1
G	60020	T-Handle	2
	50000G	Instrument Case (23" x 11" x 3 1/2")	1
Tray 2			
H	SL46118	Malleable 25mm x 203mm (1" x 8")	1

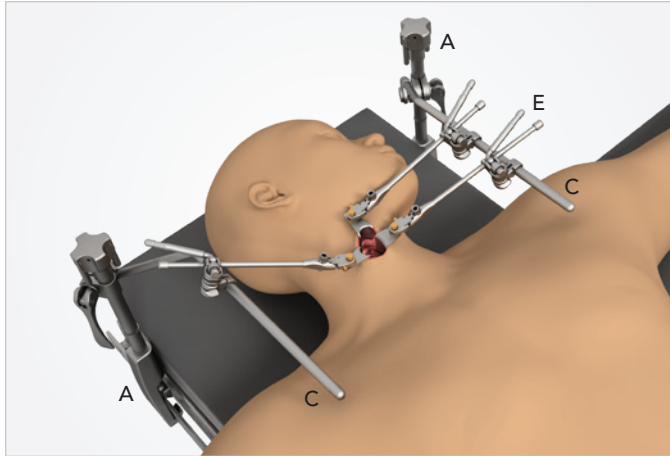
General / Vascular System COMPONENTS

RETRACTOR SYSTEMS

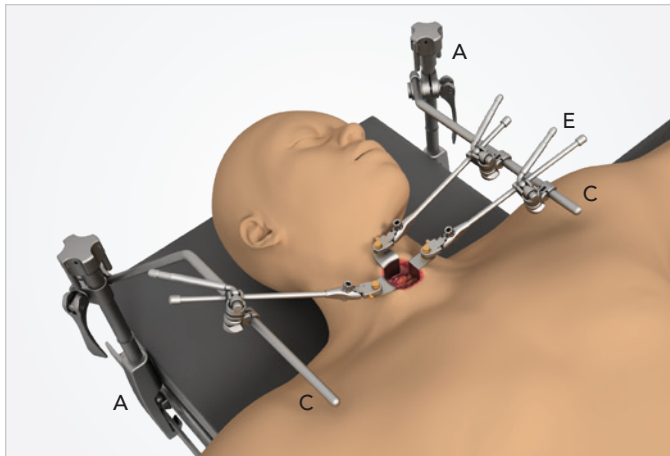


Small Incision System SUGGESTED SET UPS

Carotid



Thyroid



SMALL INCISION SYSTEM

#SL82037

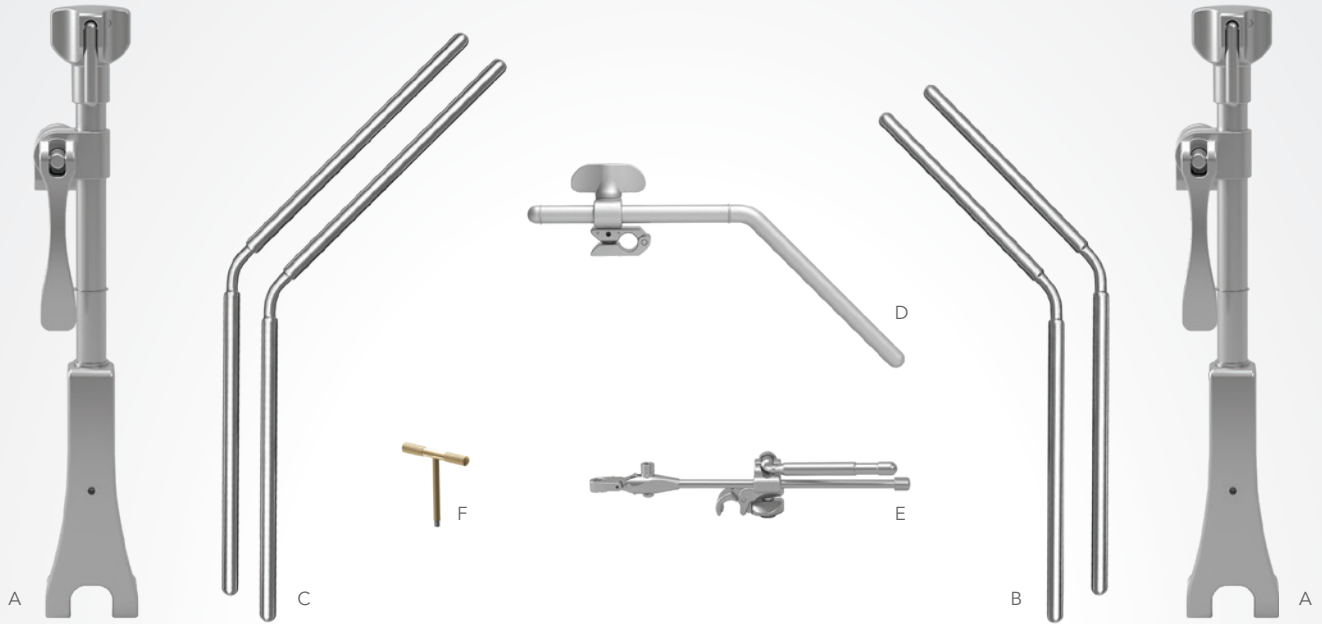
REF	PART #	ITEM DESCRIPTION	QTY
Tray 1			
A	43902ACS	Elite III Rail Clamp with 1 Cam Joint 11"	2
B	44117N	17" Angled Arm (10" x 7") @ 45°	2
C	44120	20" Angled Arm (10" x 10") @ 45°	2
D	44012H	12" Extension Arm with Spring Hinge Joint	1
E	SL42126WGP	Cam II Clip-on Quick Angle 8"	5
F	60020	T-Handle	2
G	SL46125	Richardson 19mm x 25mm (3/4" x 1")	2
H	SL46125A	Richardson 19mm x 51mm (3/4" x 2")	1
I	SL46126	Richardson 25mm x 32mm (1" x 1 1/4")	1
J	SL46149	Richardson 44mm x 51mm (1 3/4" x 2")	2
K	SL46150	Richardson 51mm x 102mm (2" x 4")	1
L	SL46115	Malleable 13mm x 64mm (1/2" x 2 1/2")	2
M	SL46211	Volkman Blunt 6 Prong 25mm x 13mm (1" x 1/2")	1
N	SL46212	Volkman Sharp 4 Prong 16mm x 13mm (5/8" x 1/2")	1
O	SL46213	Volkman Blunt 4 Prong 16mm x 13mm (5/8" x 1/2")	1
P	SL46214	Murphy Sharp 4 Prong 25mm x 13mm (1" x 1/2")	1
Q	SL46215	Murphy Blunt 4 Prong 25mm x 13mm (1" x 1/2")	1
R	SL46217	Murphy Blunt 3 Prong 19mm x 13mm (3/4" x 1/2")	1
S	SL45157A	Concave Lateral 25mm x 40mm (1" x 1 1/2")	1
T	SL45159A	Concave Lateral 25mm x 70mm (1" x 2 3/4")	2
U	SL45232A	Concave Medial 25mm x 50mm (1" x 2")	2
V	SL45153A	Concave Medial 32mm x 70mm (1 1/4" x 2 3/4")	2
	50000G	Instrument Case (23" x 11" x 3 1/2")	1

"Thompson products always facilitated my operations!! **Great engineering and quality!**"

- John (Jeb) Hallett, MD

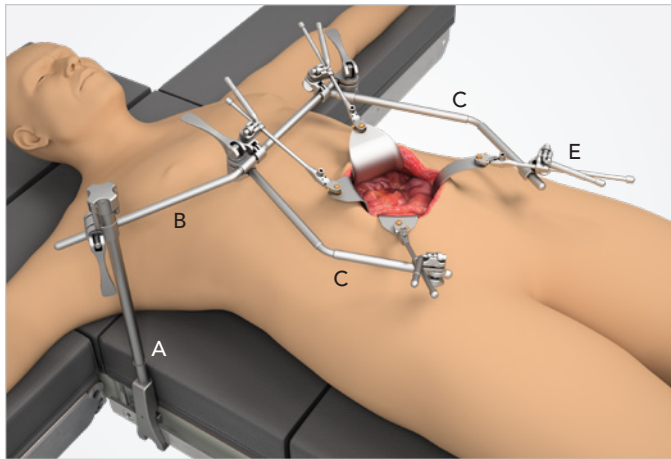
Small Incision System COMPONENTS

RETRACTOR SYSTEMS



NEW Trauma System SUGGESTED SET UP

Abdominal Trauma



“When someone asks for an assistant,
I say, ‘Pull out a Thompson!’”

- Robert Mikkelsen, MD

TRAUMA SYSTEM

#SL82036

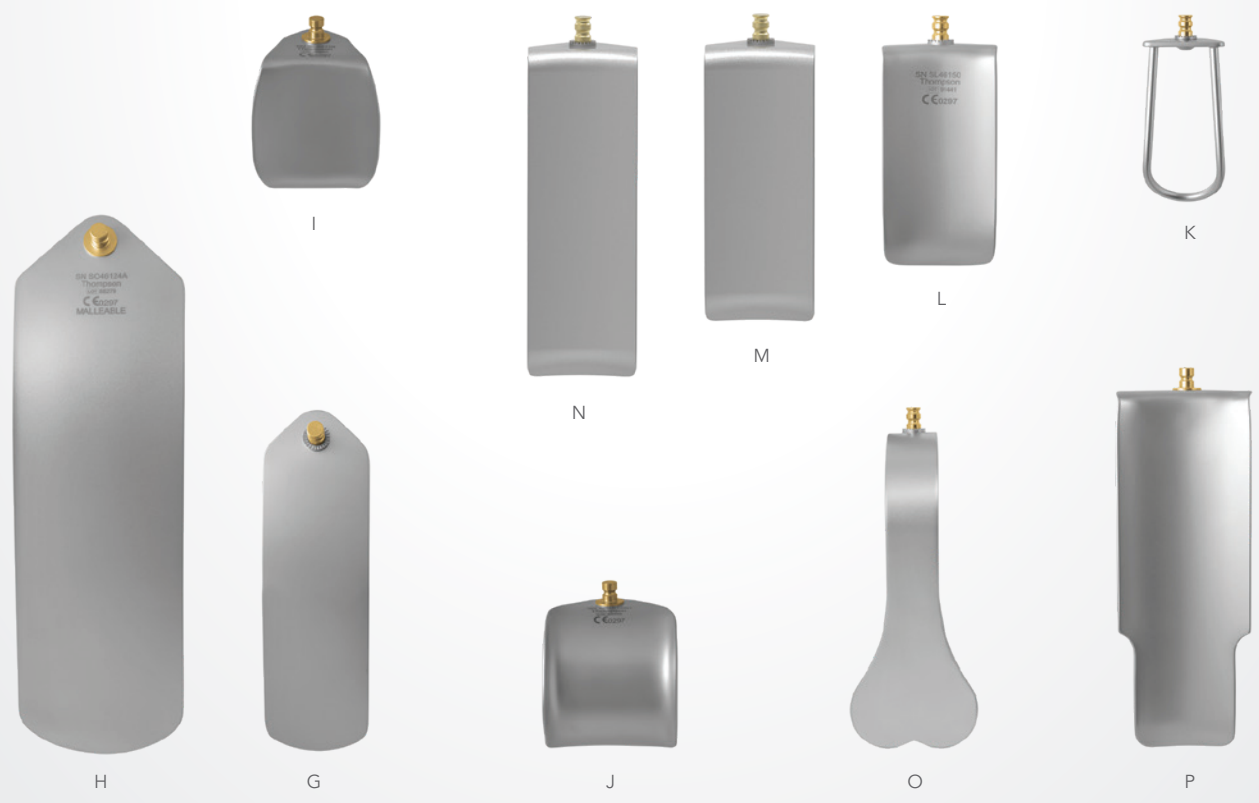
REF	PART #	ITEM DESCRIPTION	QTY
Tray 1			
A	43902AC	Elite III Rail Clamp with 1 Cam Joint 18"	1
B	43900BC	24" Crossbar with 2 Cam III Joints (11" x 13")	1
C	44120	20" Angled Arm (10" x 10") @ 45°	2
D	44124N	24" Angled Arm (8" x 16") @ 45°	2
E	SL42126WGP	Cam II Clip-On Quick Angle 8"	6
F	60020	T-Handle	2
	50000G	Instrument Case (23" x 11" x 3 1/2")	1
Tray 2			
G	SL46112	Malleable 51mm x 165mm (2" x 6 1/2")	2
	SL46120B	Malleable 38mm x 152mm (1 1/2" x 6")	1
H	SO46124A	Malleable 76mm x 254mm (3" x 10")	1
I	SO46129	Kelly 64mm x 76mm (2 1/2" x 3")	2
J	SO46140C	Balfour [sm lips] 70mm x 73mm (2 3/4" x 3")	2
K	SL46143	Fenestrated 44mm x 89mm (1 3/4" x 3 1/2")	2
L	SL46150	Richardson 51mm x 102mm (2" x 4")	1
M	SL46151	Richardson 51mm x 127mm (2" x 5")	1
N	SL46152	Richardson 51mm x 152mm (2" x 6")	1
O	SL46160	Harrington 64mm x 152mm (2 1/2" x 6")	1
P	SO46188	St. Marks [lip] 64mm x 178mm (2 1/2" x 7")	1
	50000G	Instrument Case (23" x 11" x 3 1/2")	1

Trauma System COMPONENTS

RETRACTOR SYSTEMS

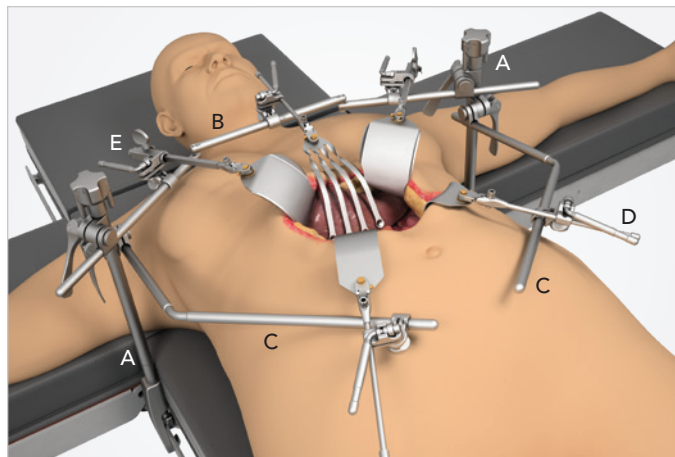


NEW Trauma System contains a streamlined selection of blades ideal for trauma procedures.



Bariatric System SUGGESTED SET UP

Bariatric



(BARIATRIC SYSTEM #SL82001 CONTINUED)

BARIATRIC SYSTEM

#SL82001

REF	PART #	ITEM DESCRIPTION	QTY
Tray 1			
A	43905AC	Elite III Rail Clamp w/2 Cam Joints 22"	2
B	41900PHL	41 1/2" Bilateral Crossbar Hinged (14" x 10" x 14")	1
C	44124W	24" Angled Arm (11" x 13") @ 45°	2
	50000BL	Instrument Case (26" x 10" x 5")	1
Tray 2			
D	SL42126WGP	Cam II Clip-on Quick Angle 8"	5
E	SL45006CGP	Micro-Adjustable II Clip-on Quick Angle 10"	2

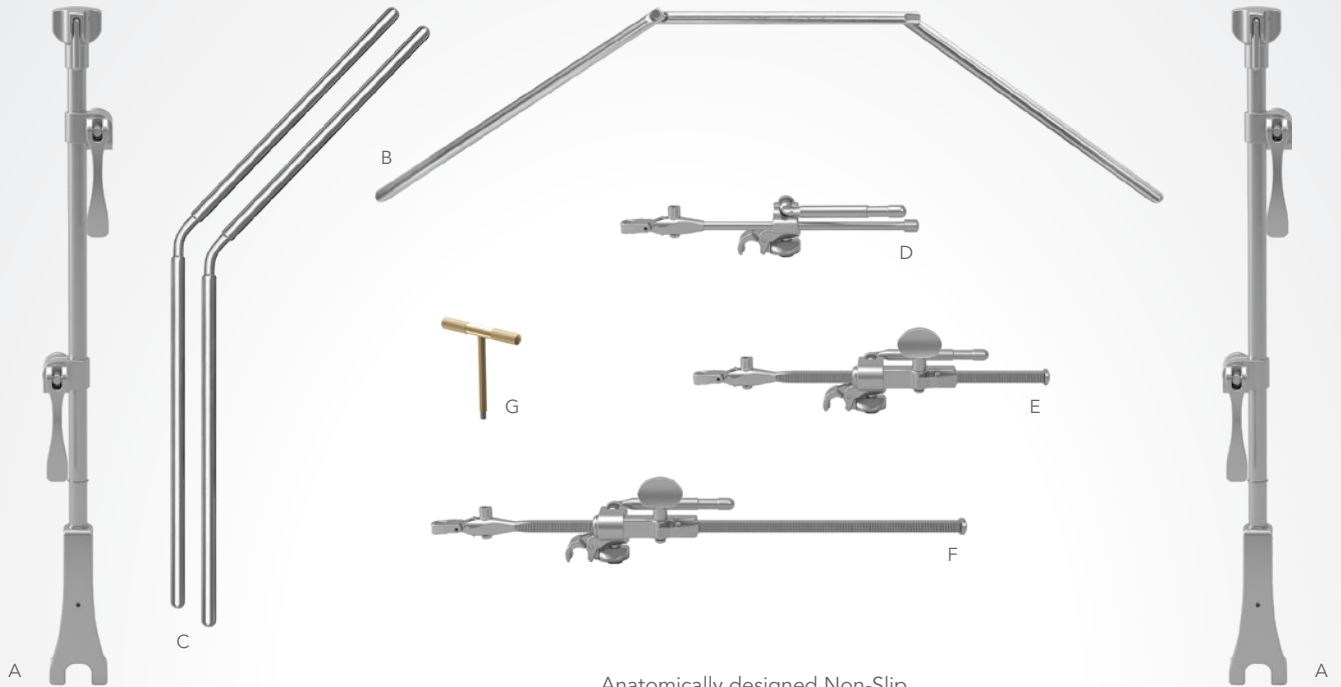
REF	PART #	ITEM DESCRIPTION	QTY
F	SL45006CGRP	Micro-Adjustable II Clip-on Quick Angle 15"	2
G	60020	T-Handle	2
H	SL46119C	Concave Round Neck Renal 25mm x 191mm (1" x 7 1/2")	2
I	SL46122A	Malleable 51mm x 254mm (2" x 10")	1
J	SO46124A	Malleable 76mm x 254mm (3" x 10")	1
K	SO46124B	Malleable 102mm x 254mm (4" x 10")	1
L	SO46130	Kelly 76mm x 89mm (3" x 3 1/2")	2
M	SO46136A	Fence 102mm x 203mm (4" x 8")	1
N	SO46141	Balfour 83mm x 73mm (3 1/4" x 3")	2
O	SO46141D	Balfour 83mm x 123mm (3 1/4" x 5")	2
P	SO46141F	Balfour 83mm x 175mm (3 1/4" x 6 7/8")	1
Q	SO46153	Richardson 51mm x 178mm (2" x 7")	1
R	SL46161	Harrington 114mm x 254mm (4 1/2" x 10")	1
S	SO46170C	Non-Slip Balfour R 77mm x 94mm (3" x 3 3/4")	1
T	SO46171C	Non-Slip Balfour L 77mm x 94mm (3" x 3 3/4")	1
U	SL46191	Malleable Finger 152mm (6")	1
V	SL46146	Splanchnich 51mm x 152mm (2" x 6")	1
	50000G	Instrument Case (23" x 11" x 3 1/2")	1

"The Thompson Retractor is in my view the **best retractor for liver, hepato-pancreato-biliary and gastric splenic surgery**. The availability of [blades] for overweight and obese patients is also of paramount assistance. I believe that **this retractor should be available in all hospitals.**"

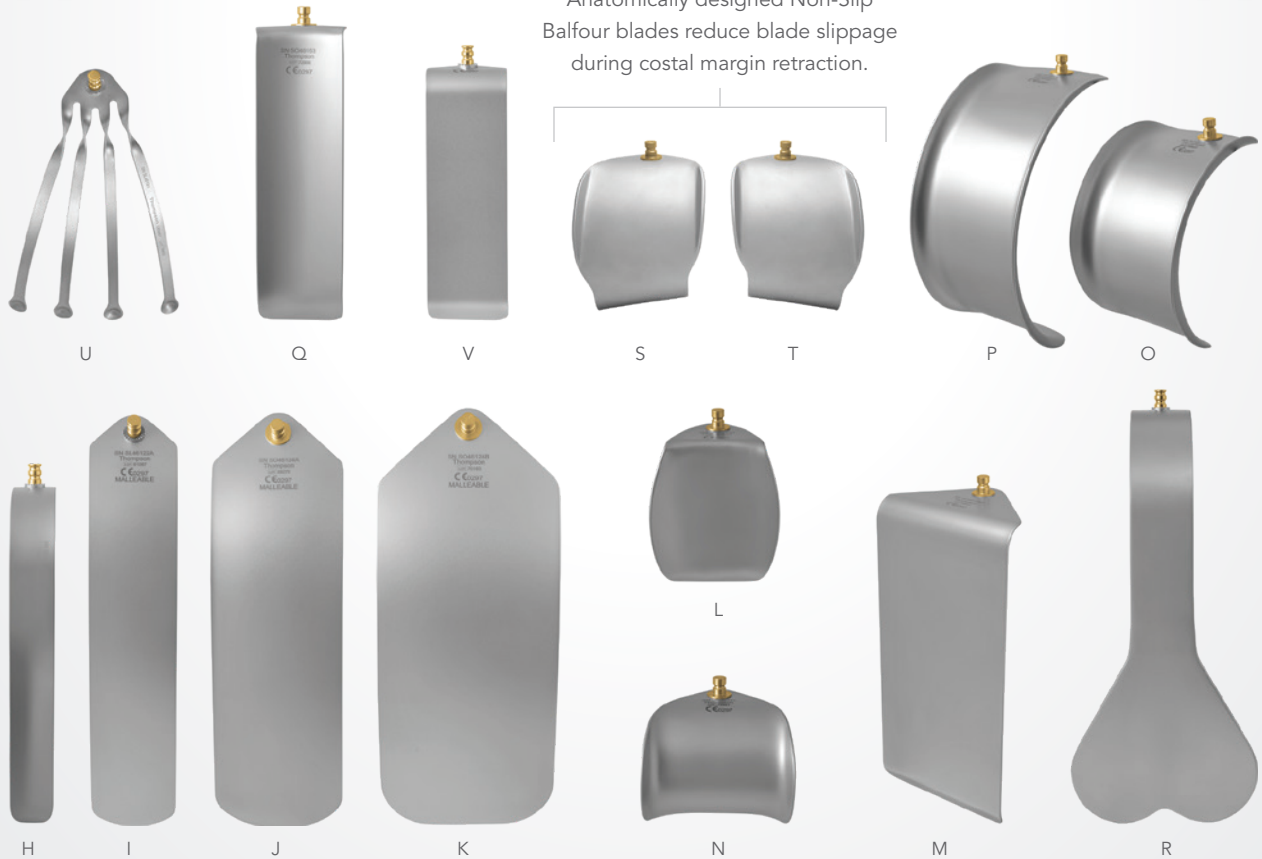
- Prof Luc Delriviere, MBBS, MD, FRCS, FRACS

Bariatric System COMPONENTS

RETRACTOR SYSTEMS

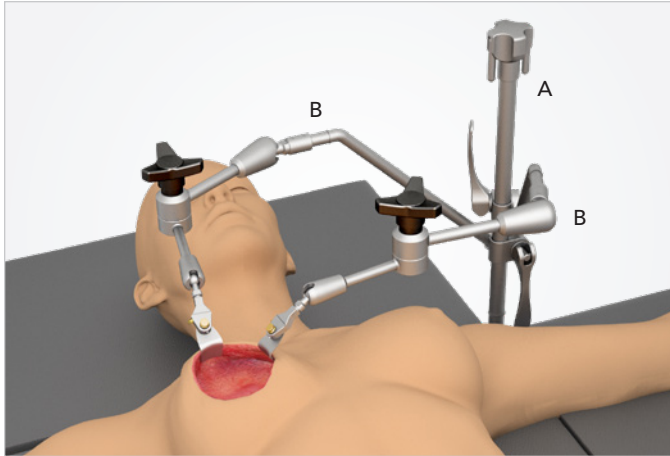


Anatomically designed Non-Slip Balfour blades reduce blade slippage during costal margin retraction.

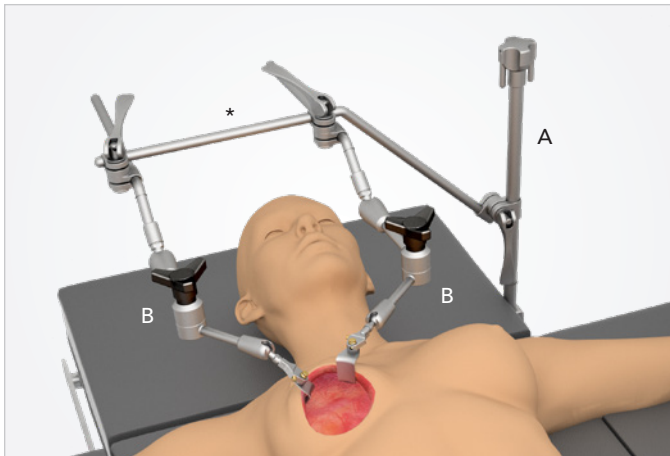


NEW Breast System SUGGESTED SET UPS

Mastectomy



Mastectomy - Alternate Set Up *



* 43900BC Crossbar may be purchased separately. Contact us for further details.

BREAST SYSTEM

#SL82041

REF	PART #	ITEM DESCRIPTION	QTY
Tray 1			
A	43903AC	Elite III Rail Clamp w/2 Cam Joints 18"	1
B	SL42191	S-Lock Articulating Arm Small 15 1/2"	2
C	SL46126	Richardson 25mm x 32mm (1" x 1 1/4")	2
D	SL46149	Richardson 44mm x 51mm (1 3/4" x 2")	2
E	SL46154	Richardson 51mm x 76mm (2" x 3")	2
F	SL46150	Richardson 51mm x 102mm (2" x 4")	2
G	SL46115	Malleable 13mm x 64mm (1/2" x 2 1/2")	2
H	SL46118P	Malleable 25mm x 104mm (1" x 4")	2
I	SL46119	Malleable 25mm x 127mm (1" x 5")	2
J	SL46122P	Malleable 51mm x 102mm (2" x 4")	2
K	SL46402	Cat's Paw 6mm x 38mm (1/4" x 1 1/2")	2
L	SL46212	Volkman Sharp 4 Prong 16mm x 13mm (5/8" x 1/2")	1
M	SL46214	Murphy Sharp 4 Prong 25mm x 13mm (1" x 1/2")	1
	50000G	Instrument Case (23" x 11" x 3 1/2")	1

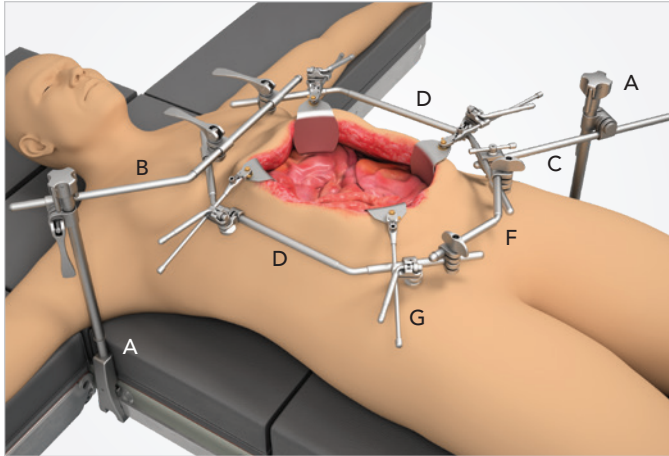
Breast System COMPONENTS



RETRACTOR SYSTEMS

HIPEC System SUGGESTED SET UP

HIPEC



“The Thompson Retractor is of use at all times during cytoreductive surgery with HIPEC and is essential for an optimal result.”

- Paul H. Sugarbaker, MD, FACS, FRCS

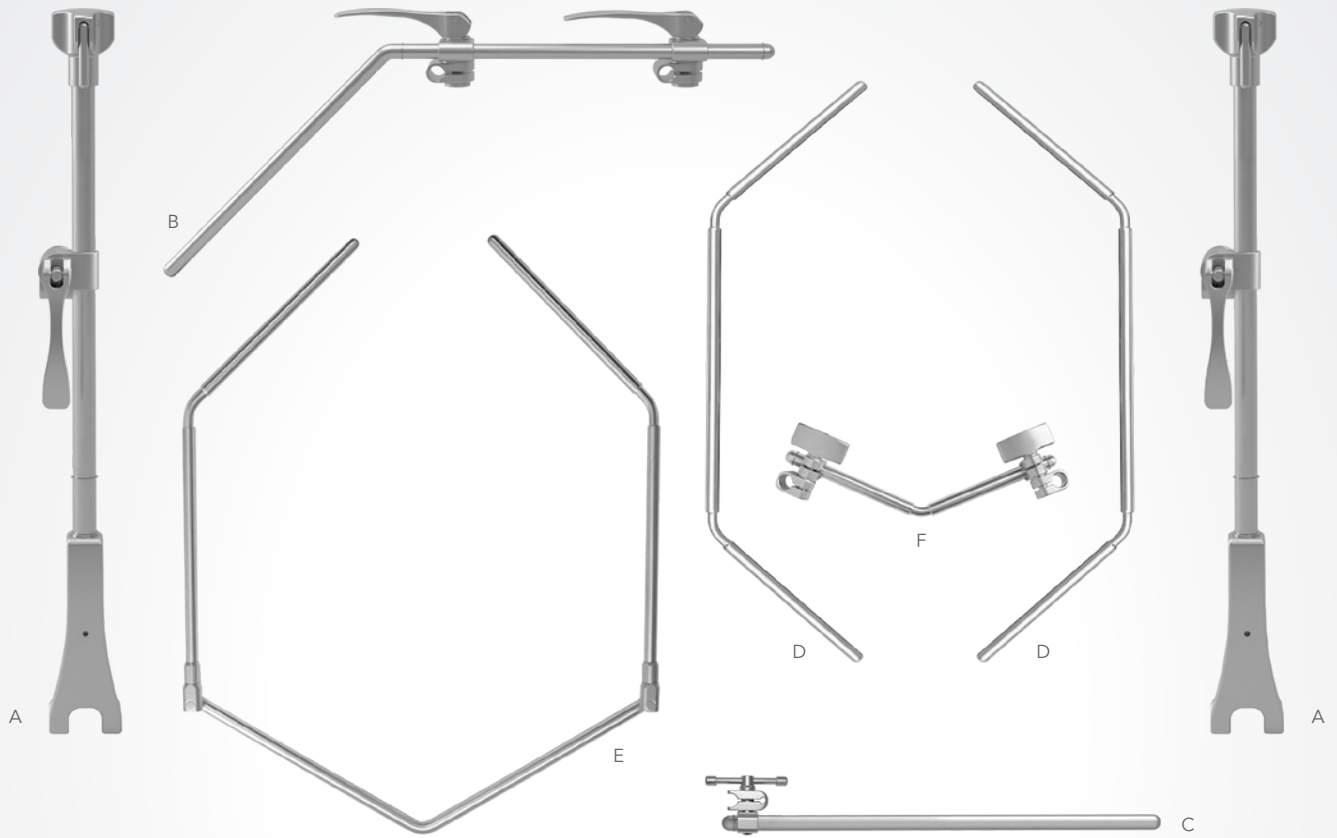
HIPEC SYSTEM

#SL82004

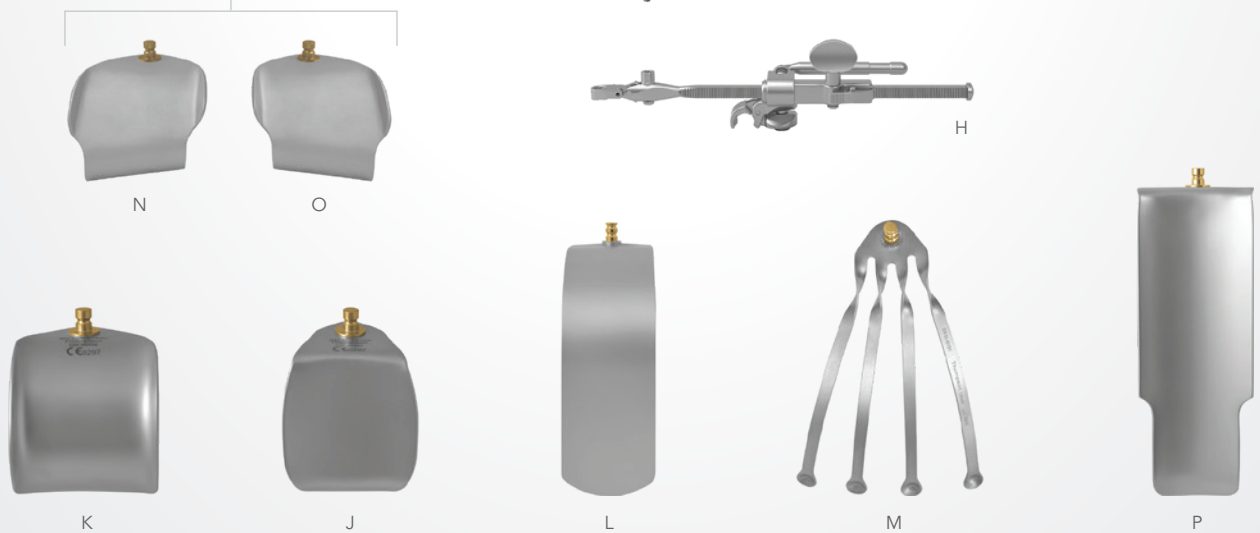
REF	PART #	ITEM DESCRIPTION	QTY
Tray 1			
A	43902AC	Elite III Rail Clamp with 1 Cam Joint 18"	2
B	43900BC	24" Crossbar with 2 Cam III Joints (11" x 13")	1
C	44014C	14" Extension Arm with Clip Joint	1
D	44122DB	22" Double Angled Arm	2
E	44112SP	20" Lower Abdominal Bar (14" x 6")	1
	50000G	Instrument Case (23" x 11" x 3 1/2")	1
Tray 2			
F	44113B	13" Angled Closure Arm (6 1/2" x 6 1/2")	1
	44118B	18" Angled Closure Arm (9" x 9")	1
G	SL42126WGP	Cam II Clip-on Quick Angle 8"	6
	SL42126WGLP	Cam II Clip-on Quick Angle 10"	2
H	SL45006CGP	Micro-Adjustable II Clip-on Quick Angle 10"	2
I	60020	T-Handle	2
J	SO46129	Kelly 64mm x 76mm (2 1/2" x 3")	6
K	SO46140C	Balfour [small lips] 70mm x 73mm (2" x 3 3/4")	2
L	SL46174	Deaver 51mm x 127mm (2" x 5")	2
M	SL46191	Malleable Finger 152mm (6")	1
N	SO46170B	Non-Slip Balfour R 77mm x 66mm (3" x 2 1/2")	1
O	SO46171B	Non-Slip Balfour L 77mm x 66mm (3" x 2 1/2")	1
P	SO46188	St Marks [with lip] 64mm x 178mm (2 1/2" x 7")	1
	50000G	Instrument Case (23" x 11" x 3 1/2")	1

HIPEC System COMPONENTS

RETRACTOR SYSTEMS

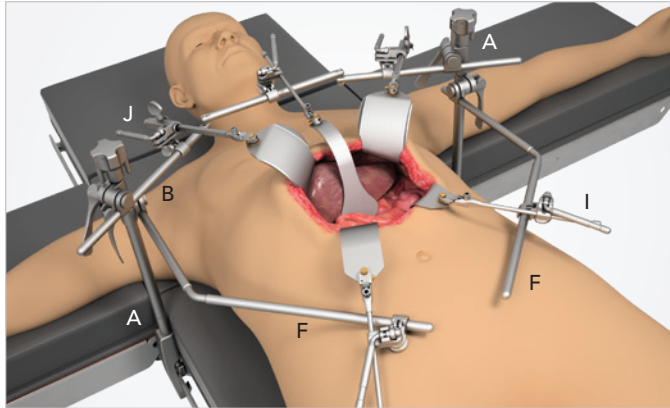


Anatomically designed Non-Slip Balfour blades reduce blade slippage during costal margin retraction.

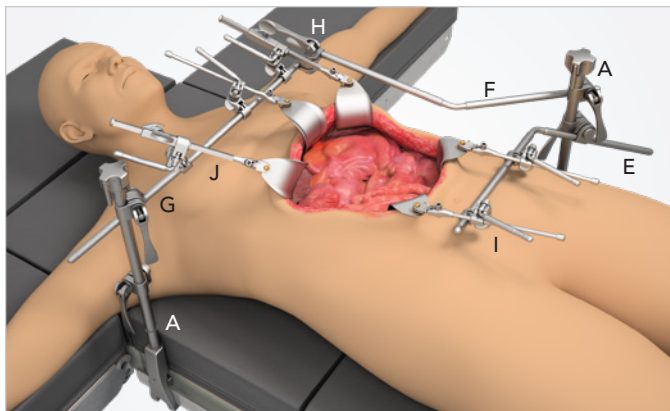


Liver / Oncology System SUGGESTED SET UPS

Liver / Oncology / HPB



Alternate (Staggered) Liver / Oncology / HPB



Additional suggested set ups shown on page 26.

(LIVER / ONCOLOGY SYSTEM #SL82007 CONTINUED)

REF	PART #	ITEM DESCRIPTION	QTY
I	SL42126WGP	Cam II Clip-on Quick Angle 8"	6
J	SL45006CGP	Micro-Adjustable II Clip-on Quick Angle 10"	2
K	SL45006CGRP	Micro-Adjustable II Clip-on Quick Angle 15"	2
L	60020	T-Handle	2
	50000G	Instrument Case (23" x 11" x 3 1/2")	1
Tray 3			
M	SL46115	Malleable 13mm x 64mm (1/2" x 2 1/2")	2
N	SL46116	Malleable 13mm x 152mm (1/2" x 6")	2
	SL46117	Malleable 13mm x 203mm (1/2" x 8")	2
O	SL46118	Malleable 25mm x 203mm (1" x 8")	1
P	SL46118P	Malleable 25mm x 104mm (1" x 4")	1
	SL46122	Malleable 51mm x 203mm (2" x 8")	1
P	SL46124	Malleable 64mm x 254mm (2 1/2" x 10")	2
	SO46124A	Malleable 76mm x 254mm (3" x 10")	1
Q	SO46124B	Malleable 102mm x 254mm (4" x 10")	1
R	SO46129	Kelly 64mm x 76mm (2 1/2" x 3")	1
	SO46130	Kelly 76mm x 89mm (3" x 3 1/2")	2
	SO46140C	Balfour [small lips] 70mm x 73mm (2 3/4" x 3")	1
S	SO46141	Balfour [lips] 83mm x 73mm (3 1/4" x 3")	2
T	SO46141C	Balfour [small lips] 83mm x 73mm (3 1/4" x 3")	2
U	SO46141D	Balfour [lips] 83mm x 123mm (3 1/4" x 5")	2
V	SL46142	Balfour [lips] 32mm x 32mm (1 1/4" x 1 1/4")	4
W	SL46153	Richardson 51mm x 178mm (2" x 7")	1
X	SL46160	Harrington 64mm x 152mm (2 1/2" x 6")	1
Y	SO46188	St. Marks [with lip] 64mm x 178mm (2 1/2" x 7")	1
Z	SL46191	Malleable Finger 152mm (6")	2
	SO46241A	Wide Balfour 83mm x 57mm (3 1/4" x 2 1/4")	1
1	SO46241B	Wide Balfour 100mm x 61mm (4" x 2 3/8")	1
	SO46241C	Wide Balfour 114mm x 63mm (4 1/2" x 2 1/2")	1
2	SO46170C	Non-Slip Balfour R 77mm x 94mm (3" x 3 3/4")	1
3	SO46171C	Non-Slip Balfour L 77mm x 94mm (3" x 3 3/4")	1
	50000G	Instrument Case (23" x 11" x 3 1/2")	1

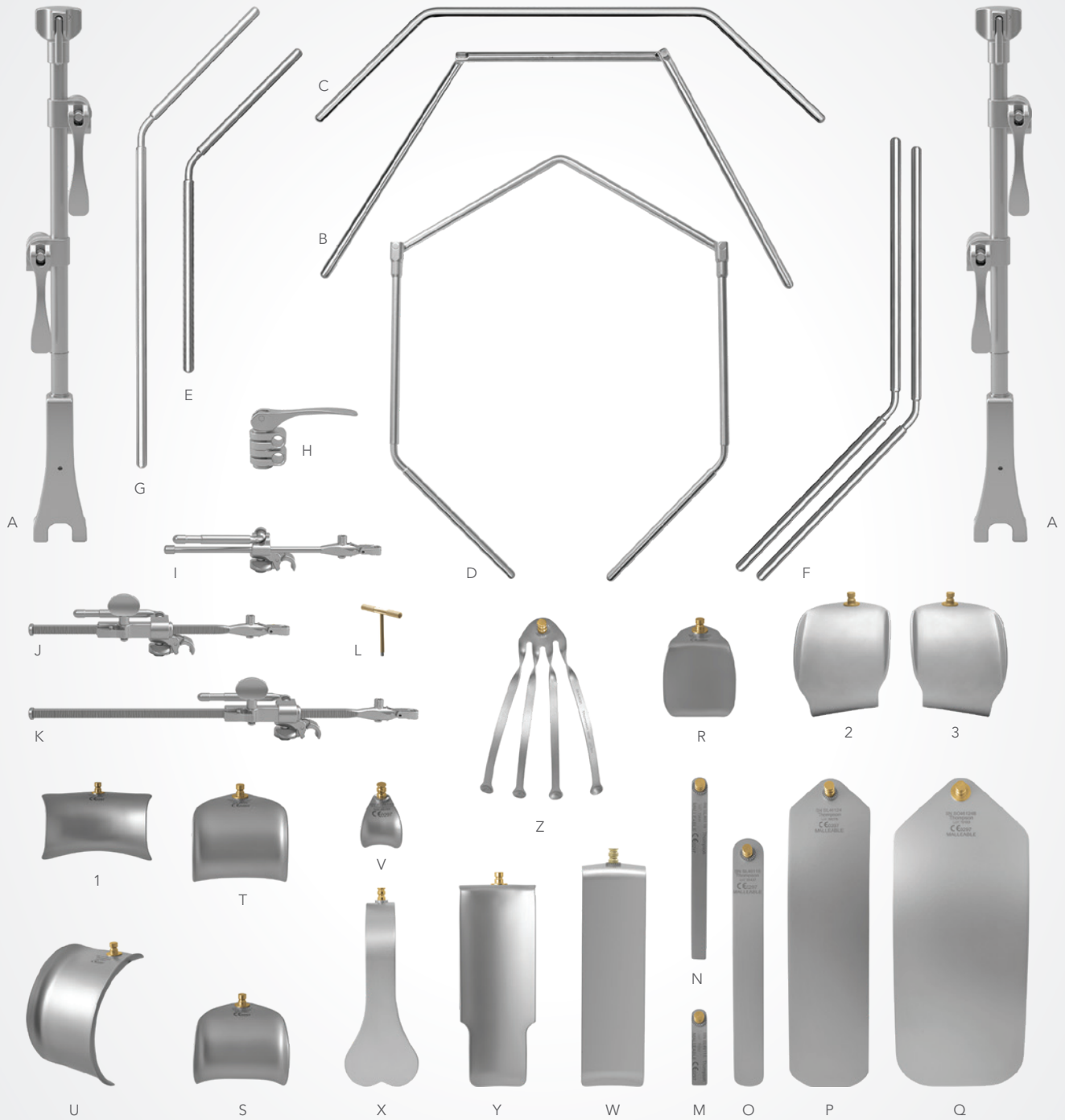
LIVER / ONCOLOGY SYSTEM

#SL82007

REF	PART #	ITEM DESCRIPTION	QTY
Tray 1			
A	43903AC	Elite III Rail Clamp with 2 Cam Joints 18"	2
B	41900PH	34" Bilateral Crossbar Hinged 11 1/2" x 8 1/2" x 11 1/2"	1
C	41900F	Bilateral Crossbar 7 1/4" x 13 1/2" x 7 1/4"	1
D	44112SP	Lower Abdominal Bar 20" (14" x 6")	1
	50000BL	Instrument Case (26" x 10" x 5")	1
Tray 2			
E	44118N	18" Angled Arm (8" x 10") @ 45°	1
F	44124W	24" Angled Arm (11" x 13") @ 45°	2
G	44124N	24" Angled Arm (8" x 16") @ 45°	1
H	43112C	Cam III Joint Serrated 1/2" x 1/2"	2

Liver / Oncology System COMPONENTS

RETRACTOR SYSTEMS

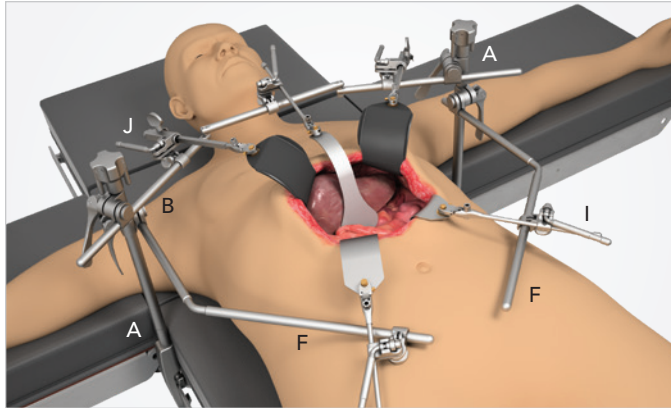


“There is really **no other retractor system on the market that is comparable to the Thompson for open liver surgery.** It offers the critical combination of **easy set-up and dependable solidity.**”

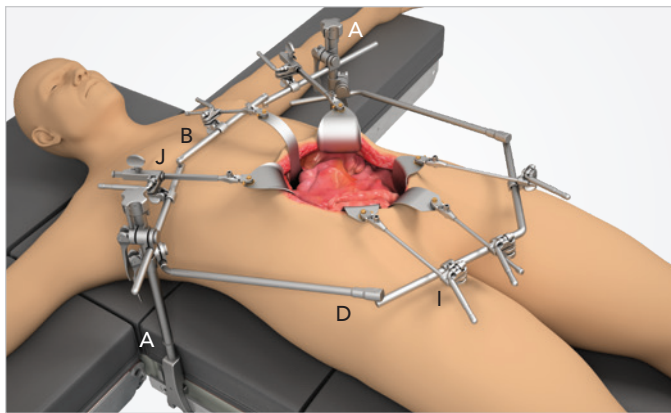
- Brendan C. Visser, MD

Radiolucent Liver / Oncology System SUGGESTED SET UPS

Liver / Oncology / HPB



Lower Abdominal Oncology



Additional suggested set ups shown on page 24.

(RADIO. LIVER / ONCOLOGY SYSTEM #SL82008 CONTINUED)

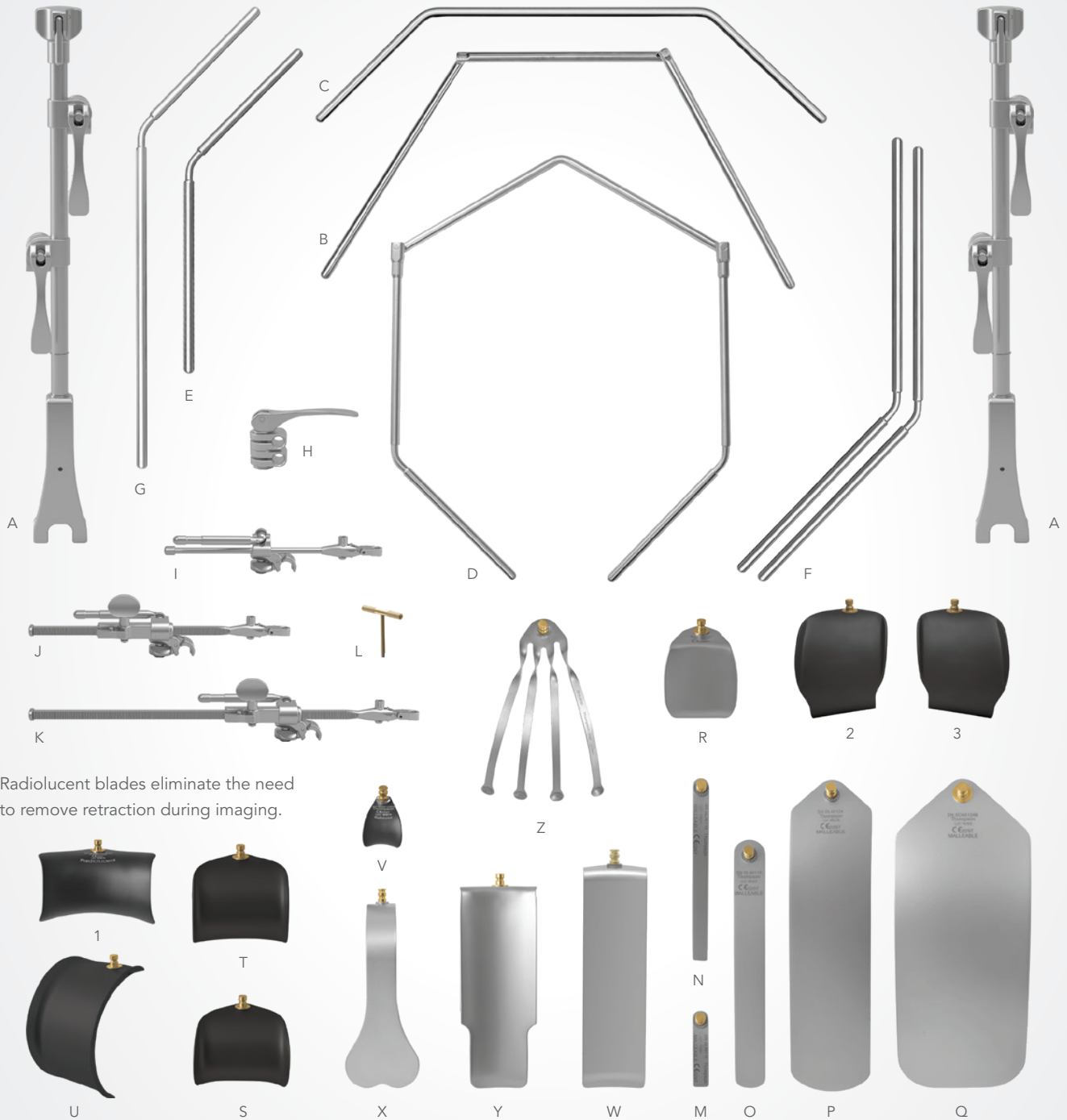
REF	PART #	ITEM DESCRIPTION	QTY
I	SL42126WGP	Cam II Clip-on Quick Angle 8"	6
J	SL45006CGP	Micro-Adjustable II Clip-on Quick Angle 10"	2
K	SL45006CGRP	Micro-Adjustable II Clip-on Quick Angle 15"	2
L	60020	T-Handle	2
	50000G	Instrument Case (23" x 11" x 3 1/2")	1
Tray 3			
M	SL46115ET	Malleable 13mm x 64mm (1/2" x 2 1/2")	2
N	SL46116ET	Malleable 13mm x 152mm (1/2" x 6")	2
	SL46117ET	Malleable 13mm x 203mm (1/2" x 8")	2
O	SL46118ET	Malleable 25mm x 203mm (1" x 8")	1
P	SL46118PET	Malleable 25mm x 104mm (1" x 4")	1
	SL46122ET	Malleable 51mm x 203mm (2" x 8")	1
P	SL46124ET	Malleable 64mm x 254mm (2 1/2" x 10")	2
	SO46124AET	Malleable 76mm x 254mm (3" x 10")	1
Q	SO46124BET	Malleable 102mm x 254mm (4" x 10")	1
R	SO46129ET	Kelly 64mm x 76mm (2 1/2" x 3")	1
	SO46130ET	Kelly 76mm x 89mm (3" x 3 1/2")	2
	SO46140CEB	Balfour [small lips] 65mm x 72mm (2 1/2" x 2 3/4")	1
S	SO46141EB	Balfour [lips] 83mm x 70mm (3 1/4" x 2 3/4")	2
T	SO46141CEB	Balfour [small lips] 83mm x 70mm (3 1/4" x 2 3/4")	2
U	SO46141DEB	Balfour [lips] 83mm x 127mm (3 1/4" x 5")	2
V	SL46142EB	Balfour [lips] 32mm x 32mm (1 1/4" x 1 1/4")	4
W	SL46153ET	Richardson 51mm x 178mm (2" x 7")	1
X	SL46160ET	Harrington 64mm x 152mm (2 1/2" x 6")	1
Y	SO46188ET	St. Marks [with lip] 64mm x 178mm (2 1/2" x 7")	1
Z	SL46191ET	Malleable Finger 152mm (6")	2
	SO46241AEB	Wide Balfour 83mm x 57mm (3 1/4" x 2 1/4")	1
1	SO46241BEB	Wide Balfour 100mm x 61mm (4" x 2 3/8")	1
	SO46241CEB	Wide Balfour 114mm x 63mm (4 1/2" x 2 1/2")	1
2	SO46170CEB	Non-Slip Balfour L 77mm x 94mm (3" x 3 3/4")	1
3	SO46171CEB	Non-Slip Balfour R 77mm x 94mm (3" x 3 3/4")	1
	50000G	Instrument Case (22" x 11" x 3 1/2")	1

RADIO. LIVER / ONCOLOGY SYSTEM #SL82008

REF	PART #	ITEM DESCRIPTION	QTY
Tray 1			
A	43903AC	Elite III Rail Clamp with 2 Cam Joints 18"	2
B	41900PH	34" Bilateral Crossbar Hinged 11 1/2" x 8 1/2" x 11 1/2"	1
C	41900F	Bilateral Crossbar 7 1/4" x 13 1/2" x 7 1/4"	1
D	44112SP	20" Lower Abdominal Bar (14" x 6")	1
	50000BL	Instrument Case	1
Tray 2			
E	44118N	18" Angled Arm (8" x 10") @ 45°	1
F	44124W	24" Angled Arm (11" x 13") @ 45°	2
G	44124N	24" Angled Arm (8" x 16") @ 45°	1
H	43112C	Cam III Joint Serrated 1/2" x 1/2"	2

Radiolucent Liver / Oncology System COMPONENTS

RETRACTOR SYSTEMS



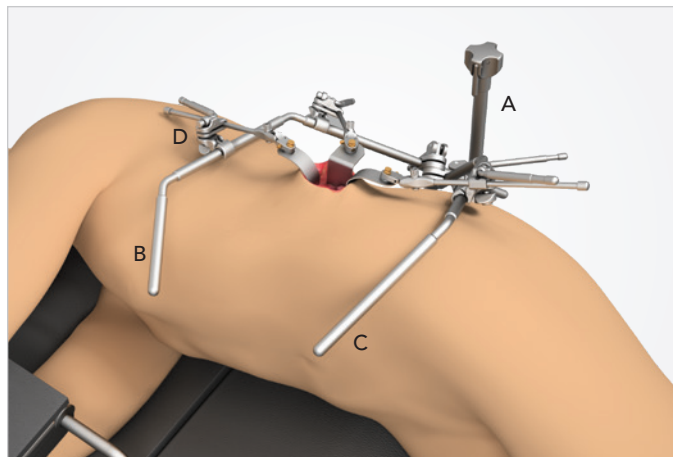
Radiolucent blades eliminate the need to remove retraction during imaging.

“I am quicker, more dynamic and precise in my biliary procedures. In addition, I am essentially non-reliant on my assistant for exposure or retraction.”

- David Sindram, MD, PhD

Kidney System SUGGESTED SET UP

Mini-Open Flank Kidney



(KIDNEY SYSTEM #SL82005 CONTINUED)

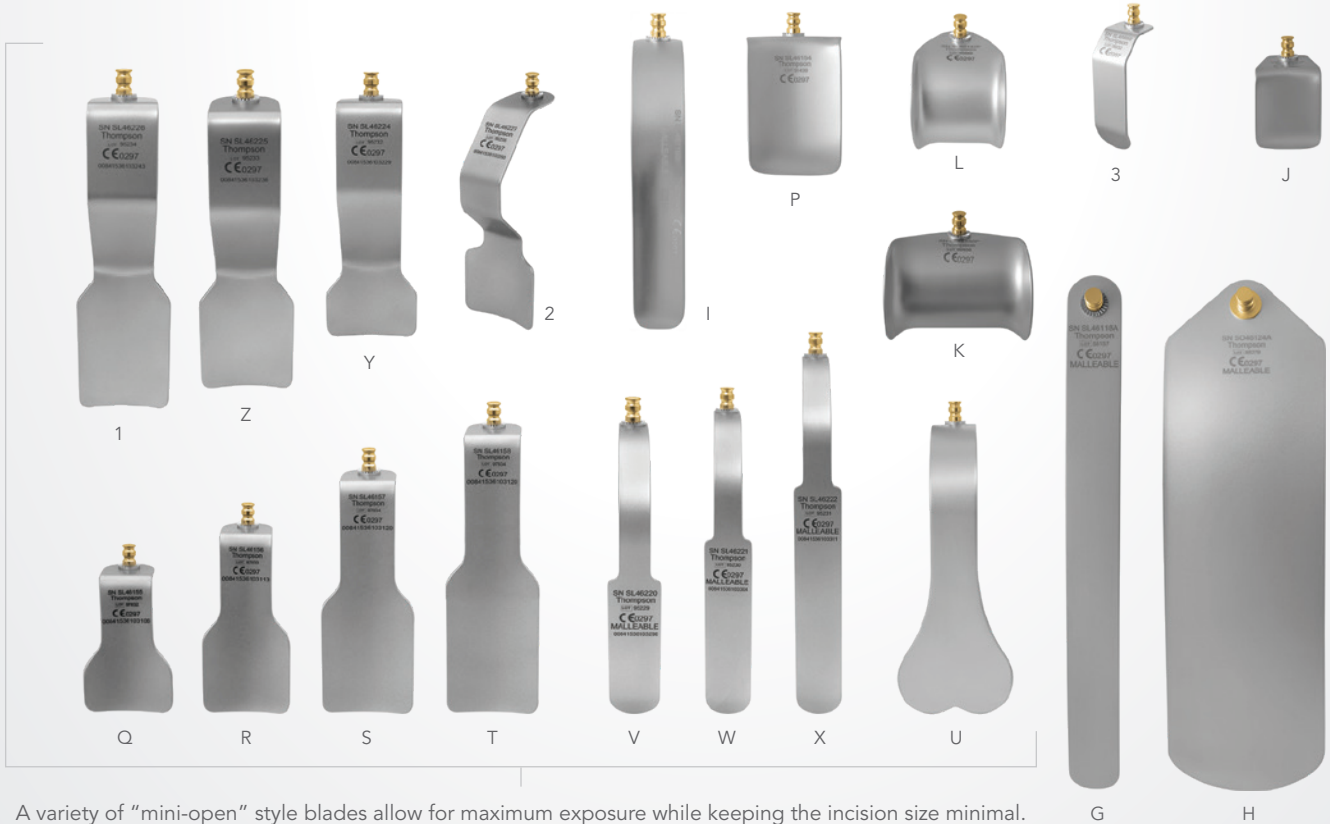
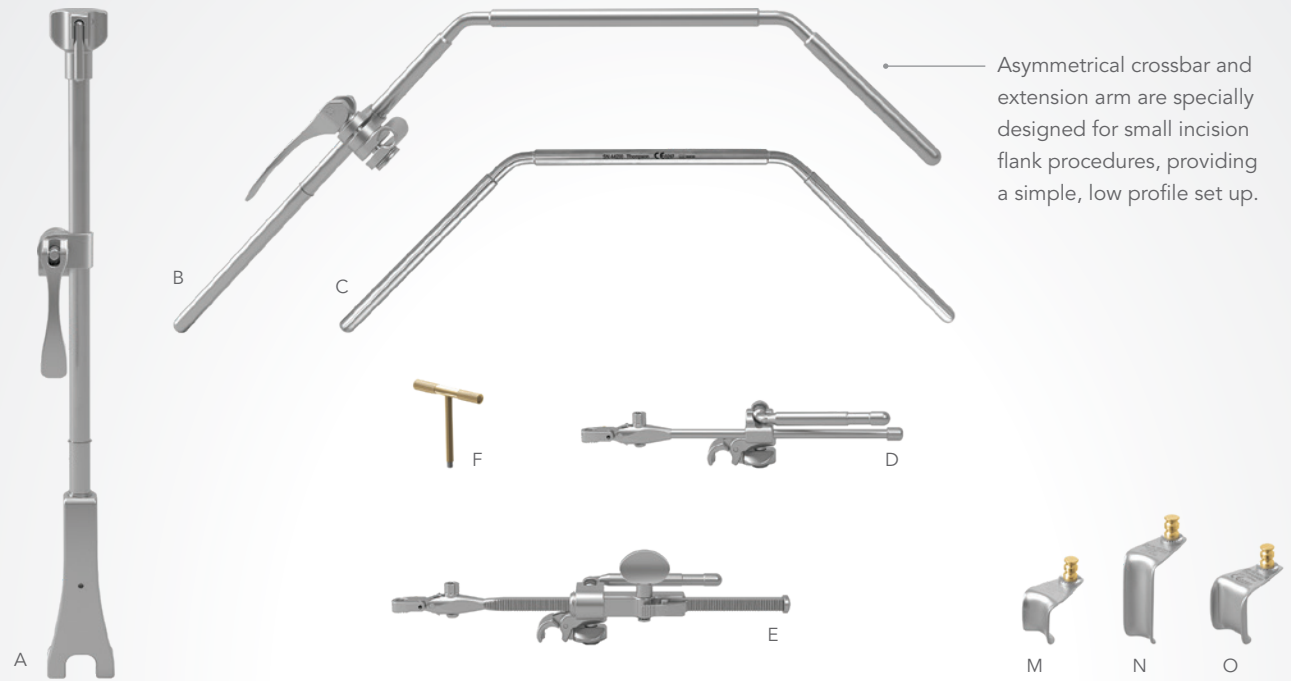
KIDNEY SYSTEM

#SL82005

REF	PART #	ITEM DESCRIPTION	QTY
Tray 1			
A	43902AC	Elite III Rail Clamp with 1 Cam Joint 18"	1
B	43800	Crossbar with 1 Cam Joint Mini-Incision	1
C	44200	Extension Arm 7 1/2" x 8 1/2" x 7 1/2"	1
D	SL42126WGP	Cam II Clip-on Quick Angle 8"	4
E	SL45006CGP	Micro-Adjustable II Clip-on Quick Angle 10"	1
F	60020	T-Handle	2
	SL46118	Malleable 25mm x 203mm (1" x 8")	1
G	SL46118A	Malleable 25mm x 254mm (1" x 10")	1
	SL46118B	Malleable 38mm x 254mm (1 1/2" x 10")	1
	SL46122	Malleable 51mm x 203mm (2" x 8")	1
	SL46123	Malleable 38mm x 203mm (1 1/2" x 8")	1
	SL46124	Malleable 64mm x 254mm (2 1/2" x 10")	1
H	SO46124A	Malleable 76mm x 254mm (3" x 10")	1
I	SL46119B	Concave Round Neck Renal 25mm x 140mm (1" x 5 1/2")	1
	SL46119C	Concave Round Neck Renal 25mm x 191mm (1" x 7 1/2")	1
J	SL46127	Kelly 38mm x 51mm (1 1/2" x 2")	1

REF	PART #	ITEM DESCRIPTION	QTY
	SL46128	Kelly 51mm x 64mm (1 1/2" x 2 1/2")	1
	SO46129	Kelly 64mm x 76mm (2 1/2" x 3")	1
K	SL46140P	Balfour 76mm x 51mm (3" x 2")	1
L	SL46142P	Balfour 51mm x 54mm (2" x 2")	1
M	SL46125	Richardson 19mm x 25mm (3/4" x 1")	1
N	SL46125A	Richardson 19mm x 51mm (3/4" x 2")	1
O	SL46126	Richardson 25mm x 32mm (1" x 1 1/4")	1
	SL46150	Richardson 51mm x 102mm (2" x 4")	1
	SO46151	Richardson 51mm x 127mm (2" x 5")	1
P	SL46154	Richardson 51mm x 76mm (2" x 3")	1
Q	SL46155	Mini Open Richardson 51mm x 76mm (2" x 3")	1
R	SL46156	Mini Open Richardson 51mm x 102mm (2" x 4")	1
S	SL46157	Mini Open Richardson 51mm x 127mm (2" x 5")	1
T	SL46158	Mini Open Richardson 51mm x 152mm (2" x 6")	1
U	SL46160	Harrington 64mm x 152mm (2 1/2" x 6")	1
	SL46162P	Harrington 38mm x 127mm (1 1/2" x 5")	1
	SL46163	Harrington 64mm x 203mm (2 1/2" x 8")	1
	SL46165	Harrington 64mm x 102mm (2 1/2" x 4")	1
V	SL46220	Mini-Open Malleable 25mm x 75mm (1" x 3")	1
W	SL46221	Mini-Open Malleable 25mm x 100mm (1" x 4")	1
X	SL46222	Mini-Open Malleable 25mm x 125mm (1" x 5")	1
Y	SL46224	Mini-Open Double Angled 51mm x 127mm (2" x 5")	1
Z	SL46225	Mini-Open Double Angled 51mm x 152mm (2" x 6")	1
1	SL46226	Mini-Open Double Angled 51mm x 165mm (2" x 6 1/2")	1
2	SL46227	Mini Open Deep Double Angled 51mm x 127mm (2" x 5")	1
3	SL46660	Double Angled 25mm x 76mm (1" x 3")	1
	50000BL	Instrument Case (26" x 10" x 5")	1

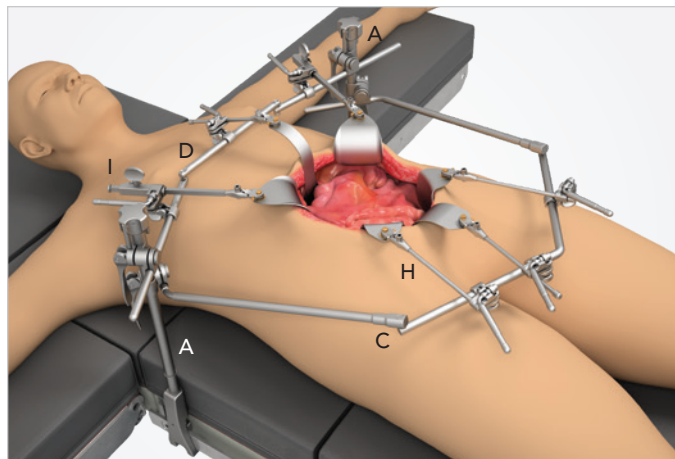
Kidney System COMPONENTS



RETRACTOR SYSTEMS

Urologic Oncology System SUGGESTED SET UP

Bilateral Urologic Oncology



Additional suggested set ups shown on page 32.

(UROLOGIC ONCOLOGY SYSTEM #SL82013 CONTINUED)

UROLOGIC ONCOLOGY SYSTEM #SL82013

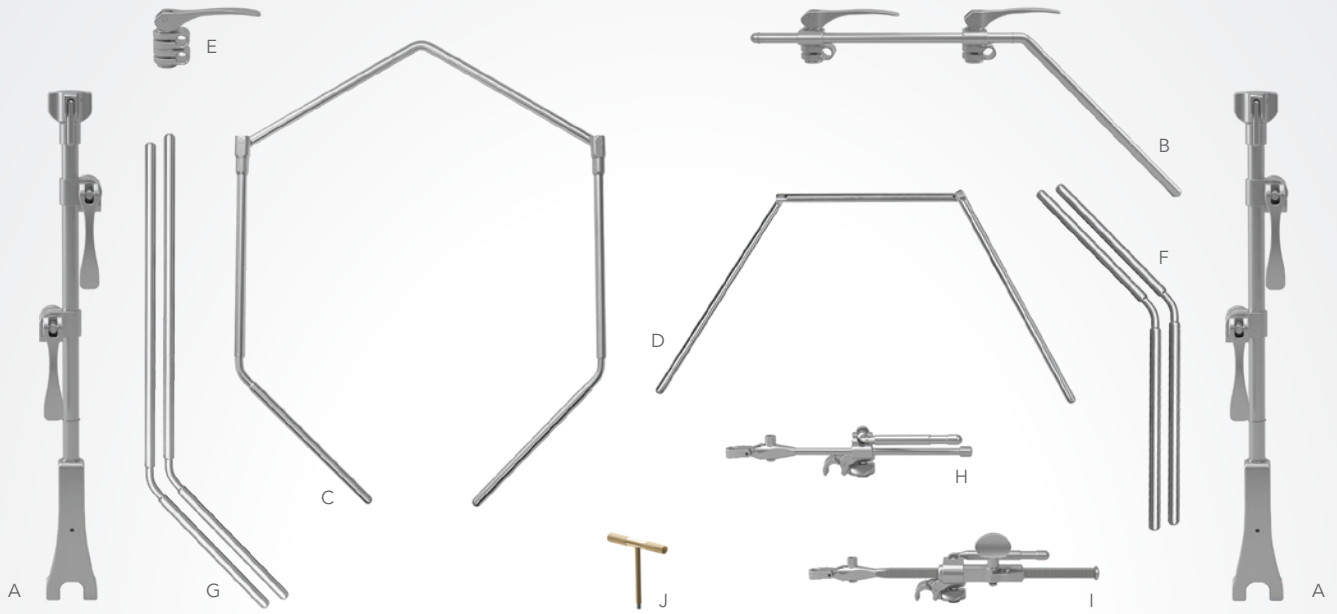
REF	PART #	ITEM DESCRIPTION	QTY
Tray 1			
A	43903AC	Elite III Rail Clamp w/2 Cam Joints 18"	2
B	43900BC	24" Crossbar with 2 Cam Joints	1
C	44112SP	20" Lower Abdominal Bar (14" x 6")	1
	50000BL	Instrument Case (26" x 10" x 5")	1
Tray 2			
D	41900PH	34" Bilateral Crossbar Hinged (11 1/2" x 8 1/2" x 11 1/2")	1
E	43112C	Cam III Joint Serrated 1/2" x 1/2"	2
F	44118N	18" Angled Arm (8" x 10") @ 45°	2
G	44124N	24" Angled Arm (8" x 16") @ 45°	2
H	SL42126WGP	Cam II Clip-on Quick Angle 8"	6
I	SL45006CGP	Micro-Adjustable II Clip-on Quick Angle 10"	2
J	60020	T-Handle	2
	50000G	Instrument Case (23" x 11" x 3 1/2")	1
Tray 3			
K	SL45753AM	Harris Prostate Retractor 8mm (3/8")	1

REF	PART #	ITEM DESCRIPTION	QTY
L	SL46116	Malleable 13mm x 152mm (1/2" x 6")	2
	SL46117	Malleable 13mm x 203mm (1/2" x 8")	2
	SL46118	Malleable 25mm x 203mm (1" x 8")	2
M	SL46122	Malleable 51mm x 203mm (2" x 8")	1
	SL46123	Malleable 38mm x 203mm (1 1/2" x 8")	1
N	SL46124	Malleable 64mm x 254mm (2 1/2" x 10")	2
O	SO46124B	Malleable 102mm x 254mm (4" x 10")	2
P	SL46122V	Malleable Slotted 51mm x 203mm (2" x 8")	2
Q	SL46119C	Concave Round Neck Renal 25mm x 191mm (1" x 7 1/2")	2
R	SO46130	Kelly 76mm x 89mm (3" x 3 1/2")	2
S	SO46136	Fence 102mm x 152mm (4" x 6")	1
T	SL46139	"Y" Bladder 81mm x 216mm (3 1/8" x 8 1/2")	1
	SO46140C	Balfour [small lips] 70mm x 73mm (2" x 3 3/4")	2
	SO46141C	Balfour [small lips] 83mm x 73mm (3 1/4" x 3")	2
U	SO46141	Balfour [with lips] 83mm x 73mm (3 1/4" x 3")	2
V	SL46142P	Balfour [with lips] 51mm x 54mm (2" x 2")	2
W	SO46153	Richardson 51mm x 178mm (2" x 7")	2
X	SL46160	Harrington 64mm x 152mm (2 1/2" x 6")	1
Y	SL46174	Deaver 51mm x 127mm (2" x 5")	2
Z	SO46188	St. Marks [with lip] 64mm x 178mm (2 1/2" x 7")	1
1	SL46191	Malleable Finger 152mm (6")	2
2	SL46215	Murphy Blunt 25mm x 13mm (1" x 1/2")	1
3	SO46241B	Wide Balfour 100mm x 61mm (4" x 2 3/8")	1
4	SL46660	Double Angled 25mm x 76mm (1" x 3")	2
	SL46662	Double Angled 13mm x 76mm (1/2" x 3")	2
5	SL46664	Double Angled Bulb 25mm x 64mm (1" x 2 1/2")	1
	50000G	Instrument Case (23" x 11" x 3 1/2")	1

"When you buy a Thompson, you buy it for life."

- Alberto Gómez Portilla, MD, PhD

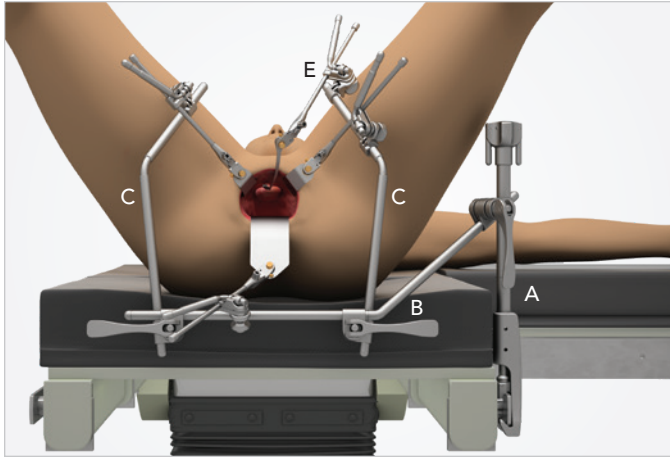
Urologic Oncology System COMPONENTS



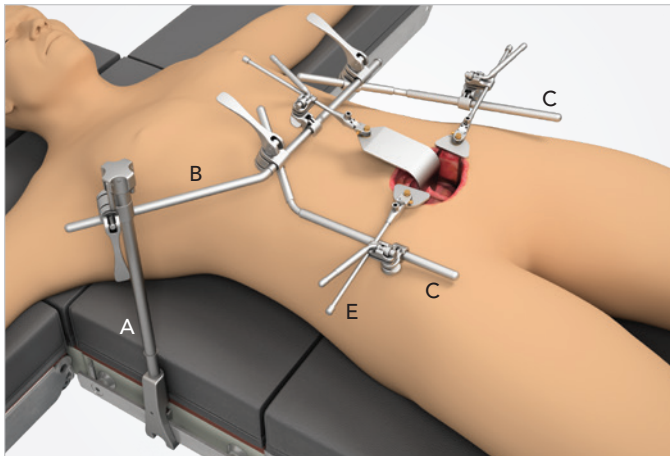
RETRACTOR SYSTEMS

Urology System SUGGESTED SET UPS

Perineal Prostatectomy



Abdominal Urology



“I utilize the Thompson Retractor for exposure on all of my nerve sparing radical perineal prostatectomy cases because it contours to the wound, is low profile, and easily accommodates varying patient anatomy.”

- Michael J. Harris, MD

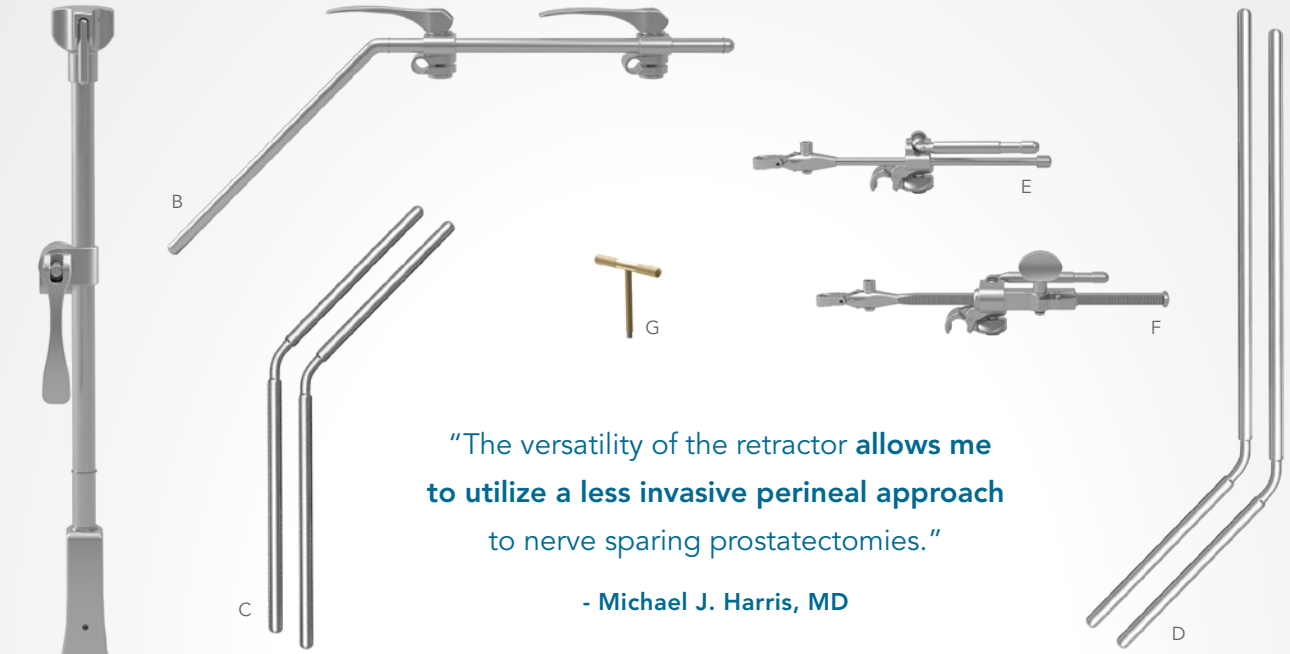
UROLOGY SYSTEM

#SL82012

REF	PART #	ITEM DESCRIPTION	QTY
Tray 1			
A	43902AC	Elite III Rail Clamp with 1 Cam Joint 18"	1
B	43900BC	24" Crossbar with 2 Cam III Joints	1
C	44118N	18" Angled Arm (8" x 10") @ 45°	2
D	44124N	24" Angled Arm (8" x 16") @ 45°	2
E	SL42126WGP	Cam II Clip-on Quick Angle 8"	3
F	SL45006CGP	Micro-Adjustable II Clip-On Quick Angle 10"	2
G	60020	T-Handle	2
	50000G	Instrument Case (23" x 11" x 3 1/2")	1
Tray 2			
H	SL46116	Malleable 13mm x 152mm (1/2" x 6")	1
I	SL46122	Malleable 51mm x 203mm (2" x 8")	1
J	SL46123	Malleable 38mm x 203mm (1 1/2" x 8")	1
K	SL46124	Malleable 64mm x 254mm (2 1/2" x 10")	1
L	SO46129	Kelly 64mm x 76mm (2 1/2" x 3")	2
M	SO46136	Fence 102mm x 152mm (4" x 6")	1
N	SL46137	Holtgrewe 60mm x 152mm (2 3/8" x 6")	1
O	SL46140P	Balfour [with lips] 76mm x 51mm (3" x 2")	2
P	SL46142P	Balfour [with lips] 51mm x 54mm (2" x 2")	2
Q	SL46143	Fenestrated 44mm x 89mm (1 3/4" x 3 1/2")	2
R	SO46151	Richardson 51mm x 127mm (2" x 5")	1
S	SL46160	Harrington 64mm x 152mm (2 1/2" x 6")	1
T	SL46163	Harrington 64mm x 203mm (2 1/2" x 8")	1
U	SL46174	Deaver 51mm x 127mm (2" x 5")	1
V	SL45753AM	Prostate Retractor 8mm (3/8")	1
W	SL46660	Double Angled 25mm x 76mm (1" x 3")	2
X	SL46661	Double Angled 25mm x 64mm (1" x 2 1/2")	2
Y	SL46662	Double Angled 13mm x 76mm (1/2" x 3")	2
Z	SL46663	Double Angled 13mm x 70mm (1/2" x 2 3/4")	2
1	SL46215	Murphy Blunt 25mm x 13mm (1" x 1/2")	1
	50000G	Instrument Case (22" x 11" x 3 1/2")	1

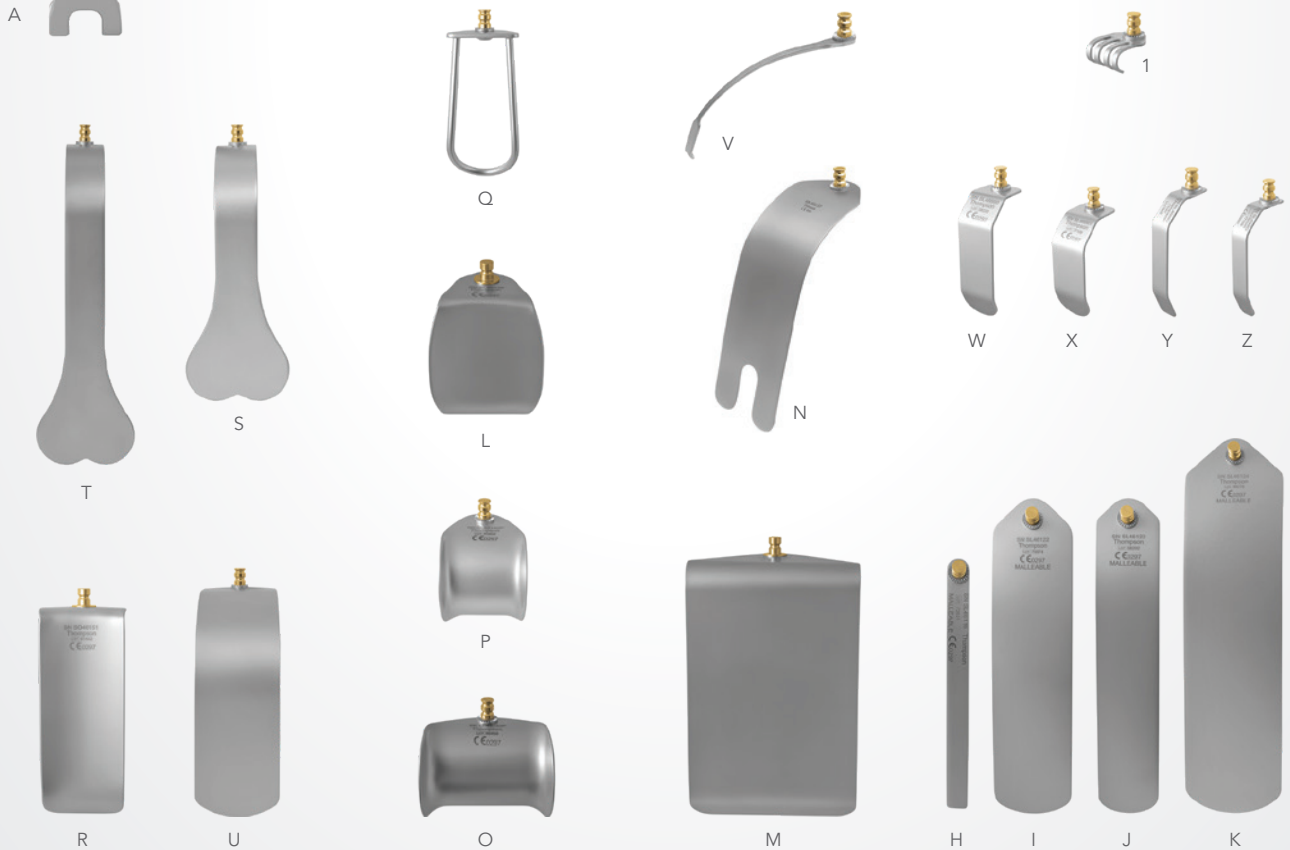
Urology System COMPONENTS

RETRACTOR SYSTEMS



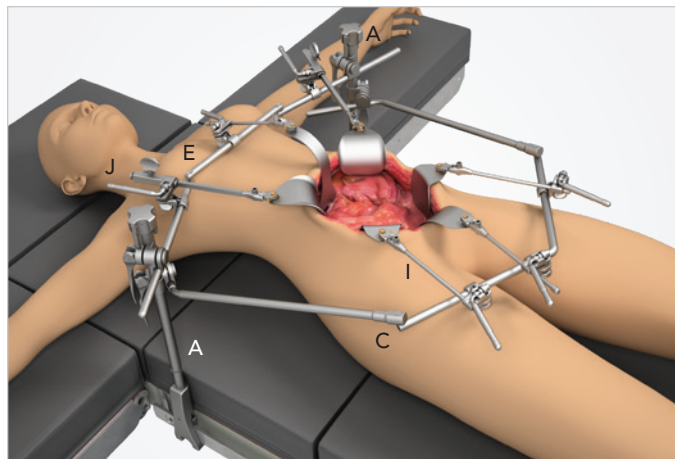
“The versatility of the retractor **allows me to utilize a less invasive perineal approach** to nerve sparing prostatectomies.”

- Michael J. Harris, MD



GYN Oncology System SUGGESTED SET UP

Bilateral GYN Oncology



Additional GYN set ups shown on page 36.

GYN ONCOLOGY SYSTEM #SL82011

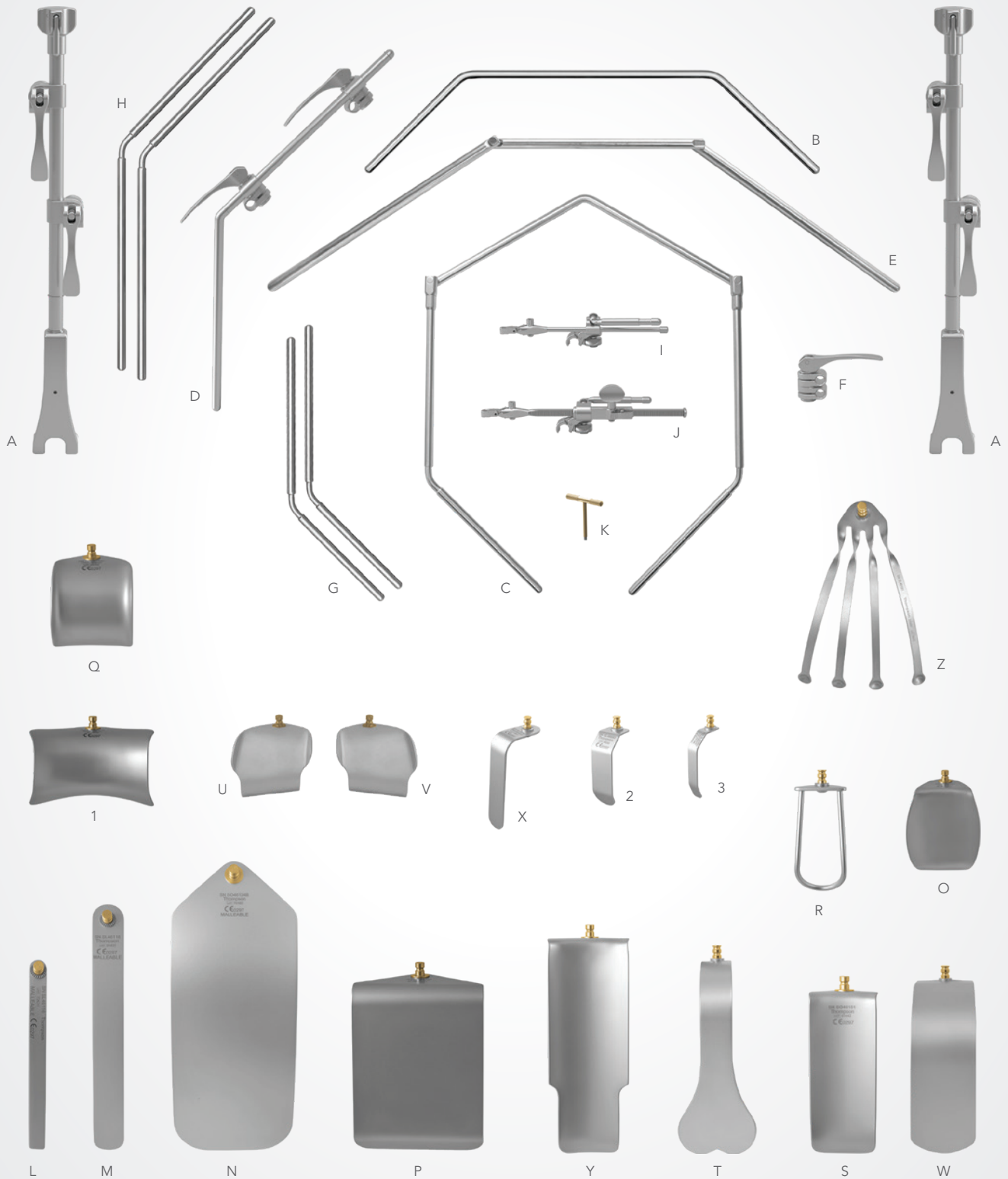
REF	PART #	ITEM DESCRIPTION	QTY
Tray 1			
A	43903AC	Elite III Rail Clamp with 2 Cam Joints 18"	2
B	41900F	Bilateral Crossbar 7 1/4" x 13 1/2" x 7 1/4"	1
C	44112SP	Lower Abdominal Bar 14" x 6"	1
D	43900BC	24" Crossbar with 2 Cam Joints	1
	50000BL	Instrument Case (26" x 10" x 5")	1
Tray 2			
E	41900PH	34" Bilateral Crossbar Hinged (11 1/2" x 8 1/2" x 11 1/2")	1
F	43112C	Cam III Serrated Slide-On Joint	1
G	44118N	18" Angled Arm (8" x 10") @ 45°	2
H	44124W	24" Angled Arm (11" x 13") @ 45°	2
I	SL42126WGP	Cam II Clip-on Quick Angle 8"	6
J	SL45006CGP	Micro-Adjustable II Clip-on Quick Angle 10"	2
	SL45006CGRP	Micro-Adjustable II Clip-on Quick Angle 15"	2
K	60020	T-Handle	2
	50000G	Instrument Case (23" x 11" x 3 1/2")	1
Tray 3			
L	SL46115	Malleable 13mm x 64mm (1/2" x 2 1/2")	1
	SL46116	Malleable 13mm x 152mm (1/2" x 6")	1
	SL46117	Malleable 13mm x 203mm (1/2" x 8")	2
M	SL46118	Malleable 25mm x 203mm (1" x 8")	1

(GYN ONCOLOGY SYSTEM #SL82011 CONTINUED)

REF	PART #	ITEM DESCRIPTION	QTY
	SL46118A	Malleable 25mm x 254mm (1" x 10")	1
	SL46118P	Soft Malleable 25mm x 102mm (1" x 4")	1
	SL46122	Malleable 51mm x 203mm (2" x 8")	1
	SL46124	Malleable 64mm x 254mm (2 1/2" x 10")	2
	SO46124A	Malleable 76mm x 254mm (3" x 10")	1
N	SO46124B	Malleable 102mm x 254mm (4" x 10")	1
	SL46127	Kelly 38mm x 51mm (1 1/2" x 2")	1
	SL46128	Kelly 51mm x 64mm (2" x 2 1/2")	1
	SO46129	Kelly 64mm x 76mm (2 1/2" x 3")	1
O	SO46130	Kelly 76mm x 89mm (3 1/2" x 3")	2
P	SO46135	Fence 102mm x 127mm (4" x 5")	1
Q	SO46140C	Balfour [small lips] 70mm x 73mm (2 3/4" x 3")	1
	SO46141C	Balfour [small lips] 83mm x 73mm (3 1/4" x 3")	2
	SO46141D	Balfour [with lips] 83mm x 123mm (3 1/4" x 5")	2
	SL46142	Balfour [with lips] 32mm x 32mm (1 1/4" x 1 1/4")	2
R	SL46143	Fenestrated 44mm x 89mm (1 3/4" x 3 1/2")	2
	SL46150	Richardson 51mm x 102mm (2" x 4")	1
S	SO46151	Richardson 51mm x 127mm (2" x 5")	1
	SO46153	Richardson 57mm x 178mm (2" x 7")	1
T	SL46160	Harrington 64mm x 152mm (2 1/2" x 6")	1
U	SO46170B	Non-Slip Balfour R 77mm x 66mm (3" x 2 1/2")	1
V	SO46171B	Non-Slip Balfour L 77mm x 66mm (3" x 2 1/2")	1
W	SL46174	Deaver 51mm x 127mm (2" x 5")	1
X	SL46180	Heany 25mm x 102mm (1" x 4")	1
Y	SO46188	St. Mark's 64mm x 178mm (2 1/2" x 7")	1
Z	SL46191	Malleable Finger 152mm (6")	2
	SO46241A	Wide Balfour 83mm x 57mm (3 1/4" x 2 1/4")	1
1	SO46241B	Wide Balfour 100mm x 61mm (4" x 2 3/8")	1
	SO46241C	Wide Balfour 114mm x 63mm (4 1/2" x 2 1/2")	2
2	SL46660	Double Angled 25mm x 76mm (1" x 3")	2
3	SL46663	Double Angled 13mm x 70mm (1/2" x 2 3/4")	2
	50000G	Instrument Case (23" x 11" x 3 1/2")	1

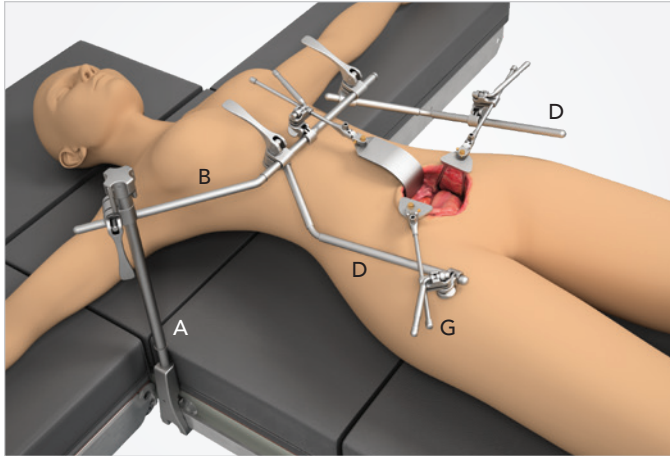
GYN Oncology System COMPONENTS

RETRACTOR SYSTEMS

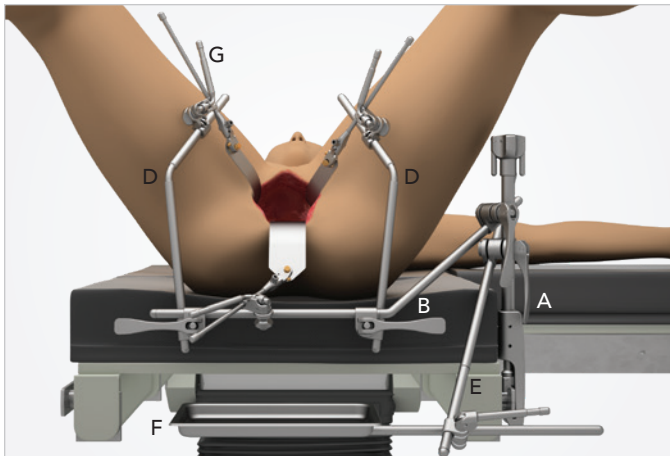


GYN System SUGGESTED SET UPS

Abdominal GYN



Vaginal GYN



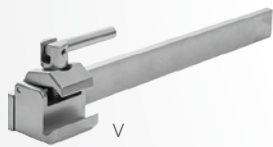
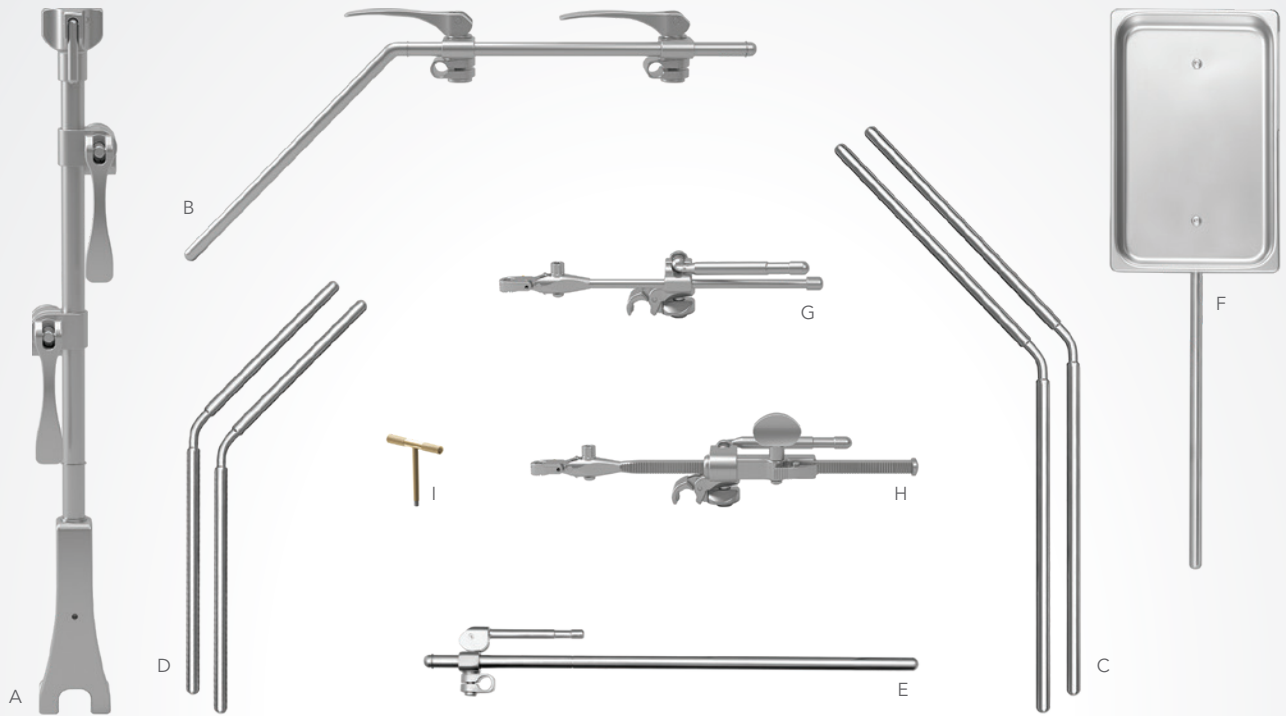
GYN SYSTEM

#SL82010

REF	PART #	ITEM DESCRIPTION	QTY
Tray 1			
A	43903AC	Elite III Rail Clamp with 2 Cam Joints 18"	1
B	43900BC	24" Crossbar with 2 Cam III Joints	1
C	44124W	24" Angled Arm (11" x 13") @ 45°	2
D	44118N	18" Angled Arm (8" x 10") @ 45°	2
E	44118C	Straight Arm 18" with 1 Cam Joint	1
	50000G	Instrument Case (23" x 11" x 3 1/2")	1
Tray 2			
F	41933	Hysterectomy Tray	1
G	SL42126WGP	Cam II Clip-on Quick Angle 8"	3
H	SL45006CGP	Micro-Adjustable II Clip-on Quick Angle 10"	2
I	60020	T-Handle	2
J	SL46174	Deaver 51mm x 127mm (2" x 5")	1
K	SL46180	Heany 25mm x 102mm (1" x 4")	1
L	SL46160	Harrington 64mm x 152mm (2 1/2" x 6")	1
M	SL46663	Double Angled 13mm x 70mm (1/2" x 2 3/4")	2
N	SL46660	Double Angled 25mm x 76mm (1" x 3")	2
O	SL46118A	Malleable 25mm x 254mm (1" x 10")	2
P	SL46118P	Malleable 25mm x 102mm (1" x 4")	2
Q	SL46118	Malleable 25mm x 203mm (1" x 8")	2
R	SL46122	Malleable 51mm x 203mm (2" x 8")	2
S	SO46135	Fence 102mm x 127mm (4" x 5")	1
T	SL46150	Richardson 51mm x 102mm (2" x 4")	1
U	SL46143	Fenestrated 44mm x 89mm (1 3/4" x 3 1/2")	2
	50000G	Instrument Case (23" x 11" x 3 1/2")	1
V	5844	Rail Extender 15" with 1 Power Rail Clamp	1

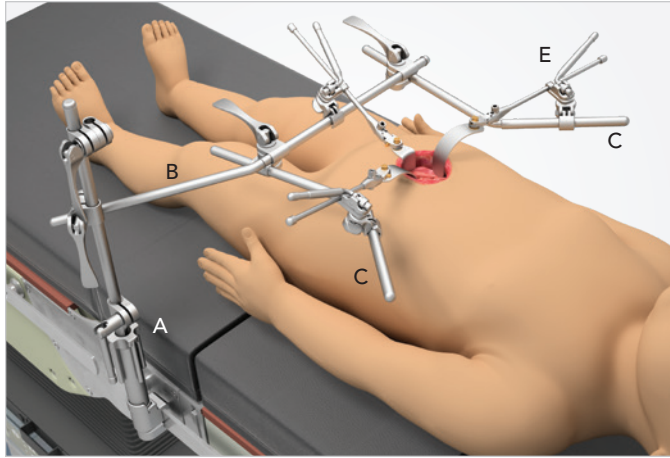
GYN System COMPONENTS

RETRACTOR SYSTEMS



Pediatric System SUGGESTED SET UP

Pediatric Abdominal



“The Thompson Retractor **makes liver transplant easy**. It provides outstanding exposure for pediatric liver transplant, **the best retractor I have seen in my 25 years as a transplant surgeon.**”

- Michael Wachs, MD

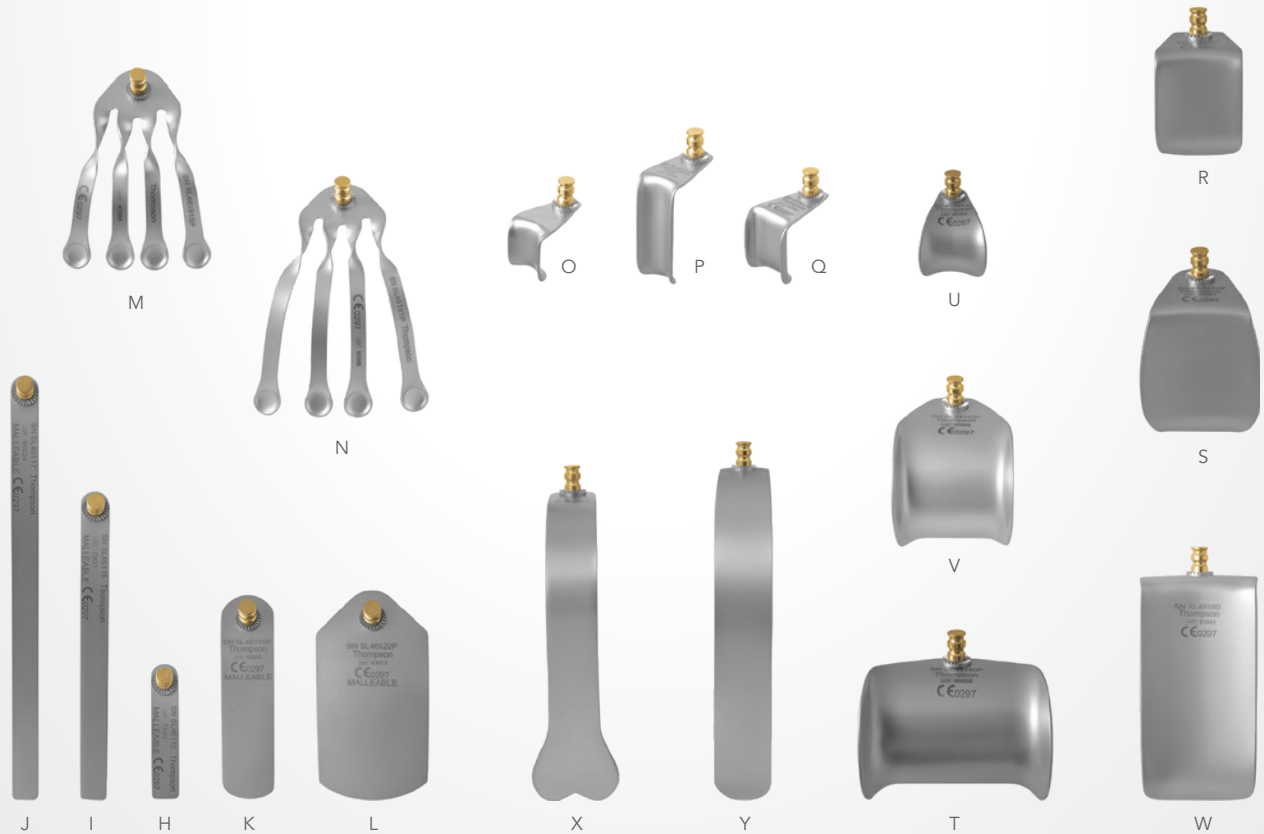
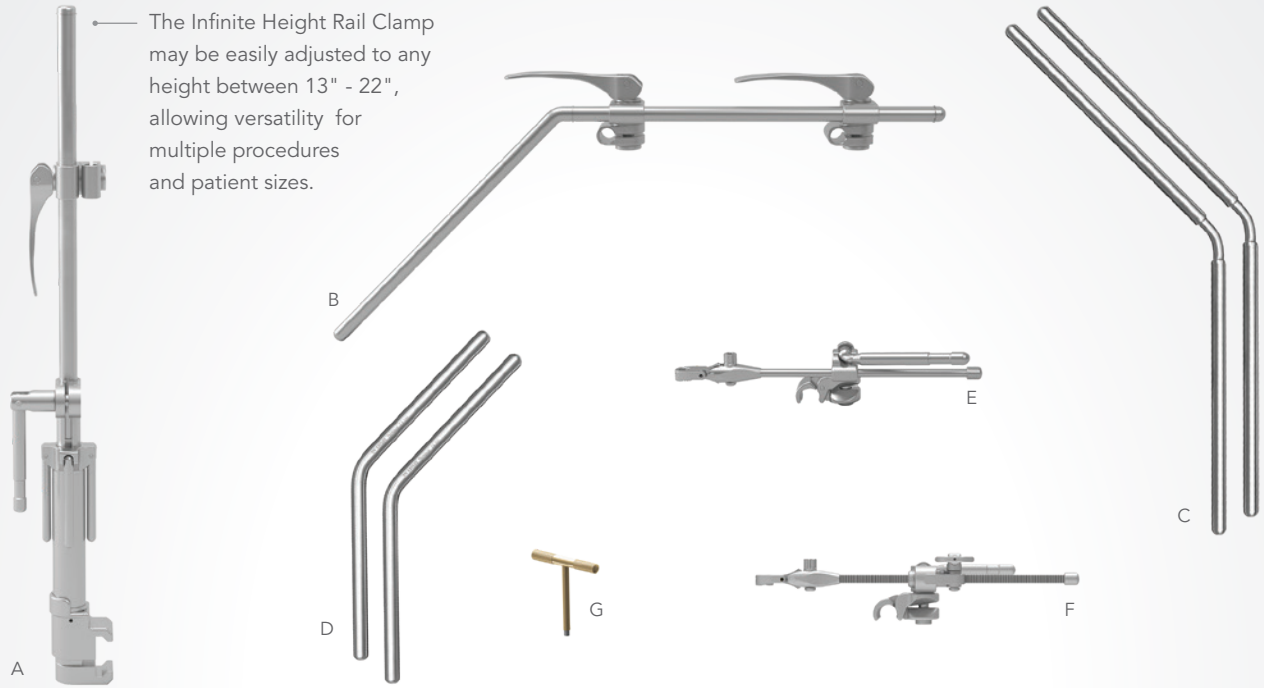
PEDIATRIC SYSTEM

#SL82006

REF	PART #	ITEM DESCRIPTION	QTY
Tray 1			
A	43902IRC	Infinite Height Rail Clamp with 1 Cam III Joint	1
B	43900BC	24" Crossbar with 2 Cam III Joints	1
C	44120	20" Angled Arm (10" x 10")	2
D	44014S	12" Angled Arm (6" x 6")	2
E	SL42126WGP	Cam II Clip-on Quick Angle 8" *	5
F	SL45011CGP	Mini Micro-Adjustable Clip-on Quick Angle 9"	1
G	60020	T-Handle	2
	50000G	Instrument Case - 23" x 11" x 3 1/2"	1
Tray 2			
H	SL46115	Malleable 13mm x 64mm (1/2" x 2 1/2")	2
I	SL46116	Malleable 13mm x 152mm (1/2" x 6")	2
J	SL46117	Malleable 13mm x 203mm (1/2" x 8")	2
K	SL46118P	Soft Malleable 25mm x 102mm (1" x 4")	2
L	SL46122P	Malleable 51mm x 102mm (2" x 4")	2
M	SL46191SP	Malleable Finger 76mm (3")	1
N	SL46191P	Malleable Finger 102mm (4")	1
O	SL46125	Richardson 19mm x 25mm (3/4" x 1")	1
P	SL46125A	Richardson 19mm x 50mm (3/4" x 2")	1
Q	SL46126	Richardson 25mm x 32mm (1" x 1 1/4")	1
R	SL46127	Kelly 38mm x 51mm (1 1/2" x 2")	1
S	SL46128	Kelly 51mm x 64mm (2" x 2 1/2")	1
T	SL46140P	Balfour 76mm x 51mm (3" x 2")	1
U	SL46142	Balfour 32mm x 32mm (1 1/4" x 1 1/4")	2
V	SL46142P	Balfour 51mm x 54mm (2" x 2")	1
W	SL46150	Richardson 51mm x 102mm (2" x 4")	1
X	SL46162P	Harrington 38mm x 127mm (1 1/2" x 5")	1
Y	SL46170	Deaver 25mm x 127mm (1" x 5")	1
	50000G	Instrument Case (23" x 11" x 3 1/2")	1

* For infants: Screw Down Joints (#42125N) and Quick Angle Handles (#SL45003GS) recommended.

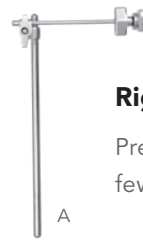
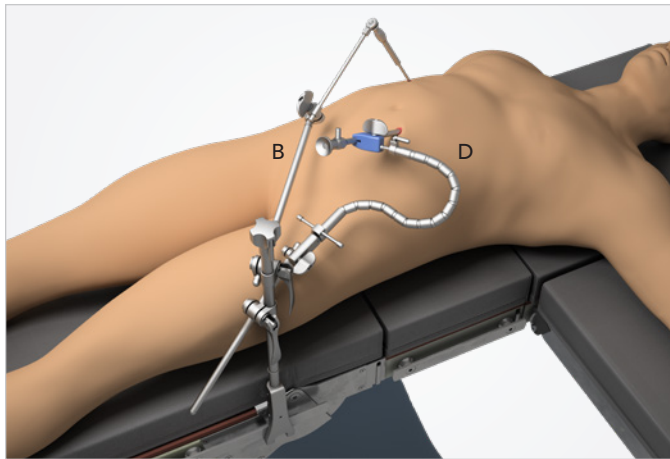
Pediatric System COMPONENTS



RETRACTOR SYSTEMS

Laparoscopic SUGGESTED SET UPS

Elite Rigid Holder + Flexible Holder



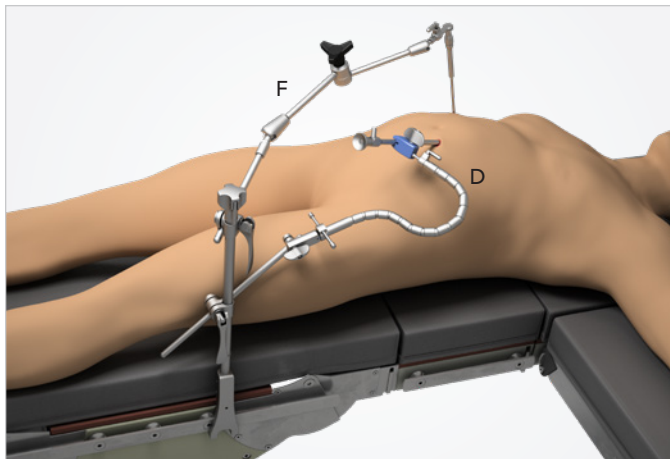
Rigid Laparoscopic Holders

Precise, rigid positioning for instruments requiring few adjustments or holding excess weight.

RIGID LAPAROSCOPIC HOLDERS

REF	PART #	ITEM DESCRIPTION
	42139EU	Universal Rigid Lap Holder for Elite (or IHRC)
A	42139E	Rigid Laparoscopic Holder for Elite (or IHRC)
B	SL42139E	S-Lock Rigid Laparoscopic Holder for Elite (or IHRC)
	42139U	Universal Rigid Lap Holder for Power Rail Clamp
	42139N	Rigid Laparoscopic Holder for Power Rail Clamp
C	SL42139N	S-Lock Rigid Laparoscopic Holder for PRC

Elite Articulating Arm + Flexible Holder



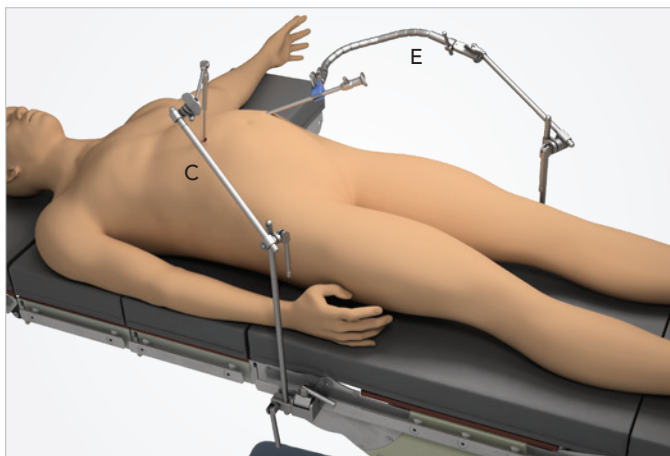
Flexible Laparoscopic Holders

Unlimited range of motion and positioning with adjustable tension from flexible to rigid.

FLEXIBLE LAPAROSCOPIC HOLDERS

REF	PART #	ITEM DESCRIPTION
D	42133DEN	Flexible Laparoscopic Holder for Elite (or IHRC)
E	42133DN	Flexible Laparoscopic Holder for Power Rail Clamp

PRC Rigid Holder + Flexible Holder



Laparoscopic Articulating Arm Holders

Holds firmly with a wide range of motion.

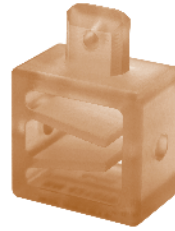
LAPAROSCOPIC ARTICULATING ARM HOLDERS

REF	PART #	ITEM DESCRIPTION
F	42138LE	Laparoscopic Articulating Arm for Elite (or IHRC)
	42138L	Laparoscopic Articulating Arm for Power Rail Clamp



Adjustable Scope Grip

Holds scope firmly while protecting shaft. Fits scopes 5 - 6mm or 10 - 11mm.



Scope Clip

Quick in and out panning of flat scopes.

Note: Scope Clip is reusable.

ADJUSTABLE SCOPE GRIP

PART #	ITEM DESCRIPTION
33181	Adjustable Scope Grip 5 - 6mm / 10 - 11mm

SCOPE CLIP *

PART #	ITEM DESCRIPTION
42137F	Scope Clip 5mm
42137S	Scope Clip 7mm
42137T	Scope Clip 10mm
42137E	Scope Clip 11mm

* Scope Clip may be ordered to fit any size scope diameter



S-Lock® Nathanson Hooks

Eliminates slippage and rotation, quick and easy adjustment.

S-LOCK® NATHANSON HOOKS

PART #	ITEM DESCRIPTION
SL42200	Small 5mm (169mm x 125mm x 12mm)
SL42201	Medium 5mm (203mm x 167mm x 16mm)
SL42202	Large 5mm (240mm x 222mm x 21mm)
SL42203	Small 6 ½mm (169mm x 125mm x 12mm)
SL42204	Medium 6 ½mm (203mm x 167mm x 16mm)
SL42205	Large 6 ½mm (240mm x 222mm x 21mm)
SL42161	S-Lock Nathanson Adapter (required for S-Lock Nathanson Hook use)



Scope Grip and Bushings

Holds scope tightly while preventing rotation of angled scopes.

SCOPE GRIP AND BUSHINGS

PART #	ITEM DESCRIPTION
33154	Scope Grip
42136F	Scope Grip Bushing 5mm **
42136T	Scope Grip Bushing 10mm

** Additional sizes from 5.1mm - 5.8mm also available



Duo Head

Holds 3mm, 5mm, or 10mm instruments firmly in place.

DUO HEAD

PART #	ITEM DESCRIPTION
42160N	Duo Head with Tool Grasp Knob 3/5/10mm



Power Rail Clamp

The Power Rail Clamp is ideal for those who prefer a lower profile, basic rail attachment.

POWER RAIL CLAMP

PART #	ITEM DESCRIPTION
41950	Power Rail Clamp

Elite Rail Clamp and IHRC options shown on pages 44 - 45.

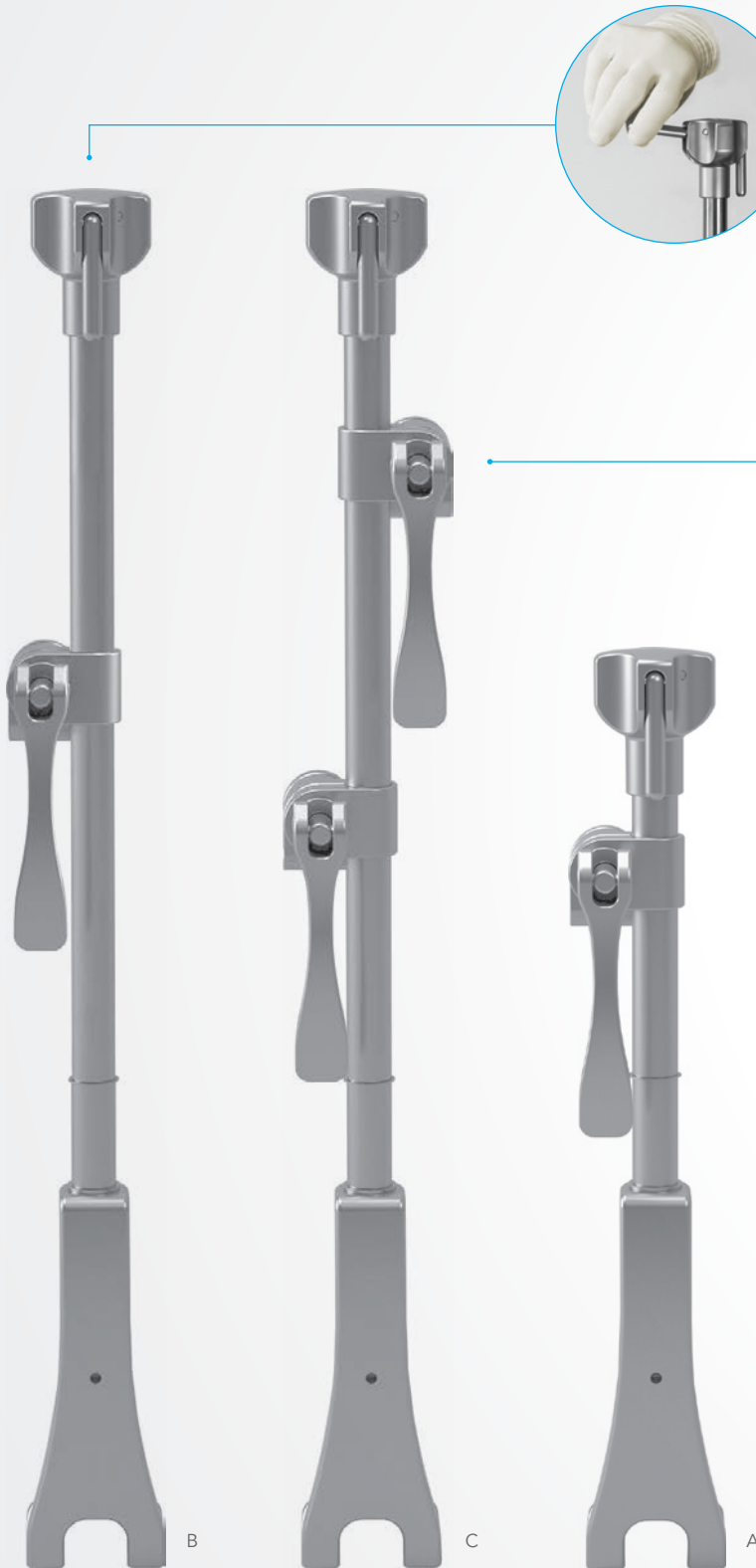
We understand the value of exposure in successful surgery and are dedicated to providing innovative, high quality retractor systems that deliver safe, versatile, low-profile retraction.

COMPONENTS:

System Frame Components + Accessories

Rail Clamps	46-47
Rail Extenders	47
Crossbars	48
Frame Arms.....	49
Lower Abdominal Bars.....	50-51
Frame Joints.....	51
Retractor Handles	52-55
Illumination	56-57
Instrument Trays	58-59

Elite III Rail Clamps



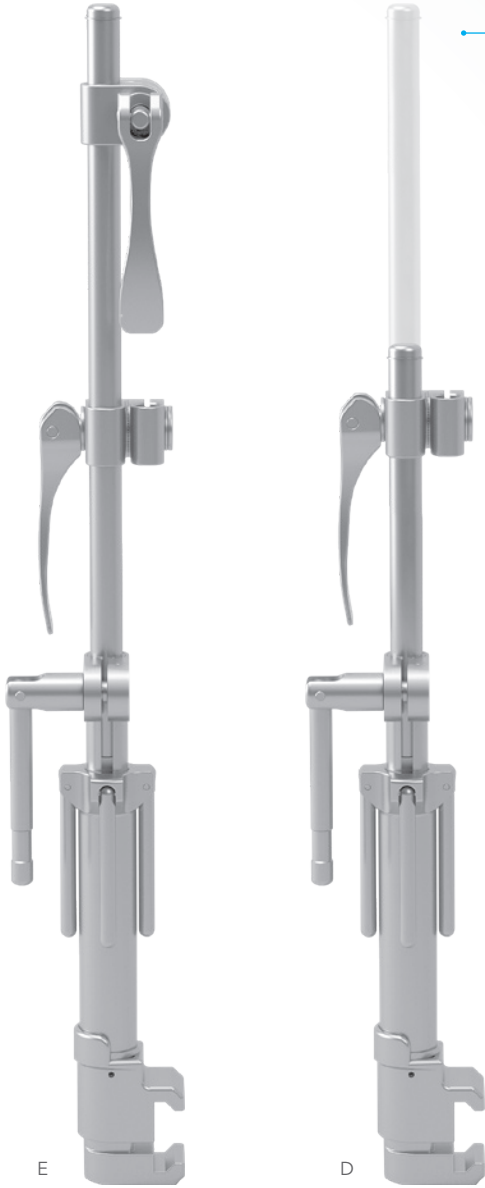
Top control of the **Elite III Rail Clamp** allows attachment to the OR table within the sterile field.

Elite III Rail Clamps feature improved, ergonomic Cam III Joints.

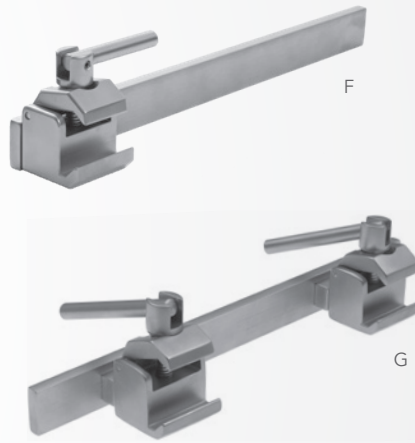
ELITE III RAIL CLAMPS

REF	PART #	ITEM DESCRIPTION
A	43902ACS	11" (25cm) with 1 Cam Joint
	43902ACL	16" (41cm) with 1 Cam Joint
B	43902AC	18" (45cm) with 1 Cam Joint
C	43903AC	18" (45cm) with 2 Cam Joints
	43903ACL	16" (41cm) with 2 Cam Joints
	43904AC	22" (55cm) with 1 Cam Joint
	43905AC	22" (55cm) with 2 Cam Joints
	43906AC	26" (65cm) with 1 Cam Joint
	43907AC	26" (65cm) with 2 Cam Joints
	43902S	11" (25cm) with 1 3/8" Cam Joint

Infinite Height Rail Clamps + Rail Extenders



— Infinite Height Rail Clamp (IHRC) quickly adjusts to any height between 13" - 22" and accommodates all patient sizes.



— Apply a **Rail Extender** to increase rail length or width and provide more attachment options for the rail clamps.

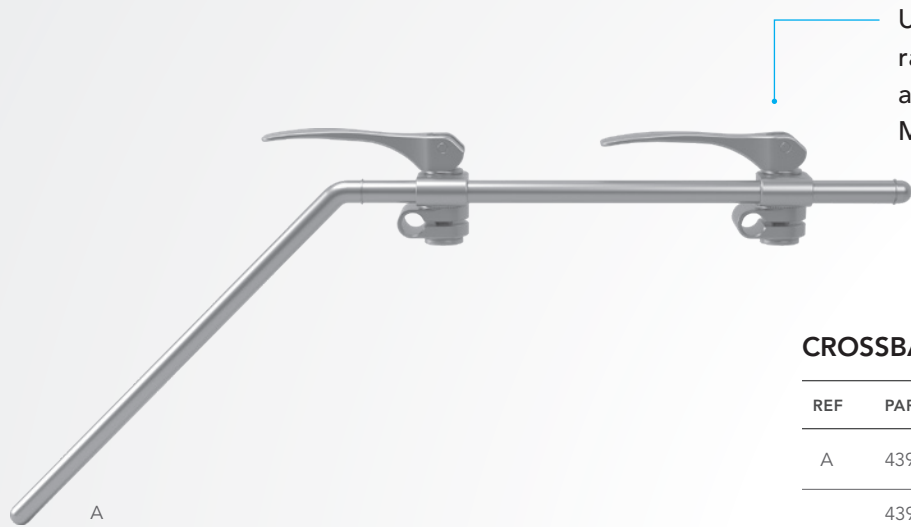
INFINITE HEIGHT RAIL CLAMPS (IHRC)

REF	PART #	ITEM DESCRIPTION
D	43902IRC	IHRC with 1 Cam Joint
E	43903IRC	IHRC with 2 Cam Joints

RAIL EXTENDERS

REF	PART #	ITEM DESCRIPTION
F	5844	15" with 1 Power Rail Clamp
	41938	20" with 1 Power Rail Clamp
G	41917	14" with 2 Power Rail Clamps Offset
	41929	22" with 2 Power Rail Clamps

Crossbars



CROSSBARS

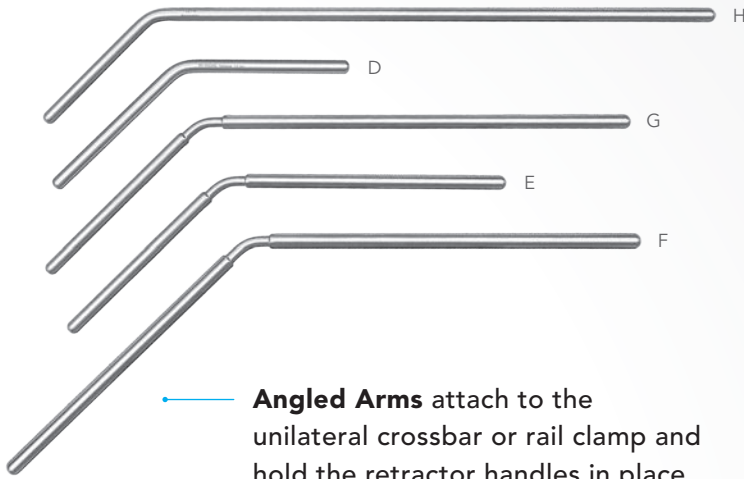
REF	PART #	ITEM DESCRIPTION
A	43900BC	24" with 2 Cam III Joints (11" x 13")
	43900BCW	24" with 2 Cam III Joints (8" x 16")



BILATERAL CROSSBARS

REF	PART #	ITEM DESCRIPTION
B	41900PH	34" Hinged 11 1/2" x 8 1/2" x 11 1/2"
	41900PHL	41 1/2" Hinged 14 1/2" x 10" x 14 1/2"
	41900H	34" Hinged 11" x 8 1/2" x 11"
	41900HL	41 1/2" Hinged 14" x 10" x 14"
C	41900F	7 1/4" x 13 1/2" x 7 1/4"

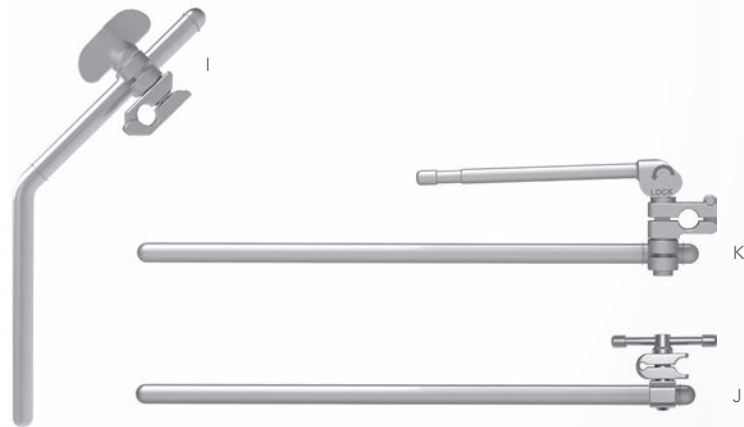
Frame Arms



— **Angled Arms** attach to the unilateral crossbar or rail clamp and hold the retractor handles in place.

ANGLED LATERAL ARMS

REF	PART #	ITEM DESCRIPTION
D	44014S	12" (6" x 6")
	44117N	17" (7" x 10")
E	44118N	18" (8" x 10")
	44120	20" (10" x 10")
F	44124W	24" (11" x 13")
G	44124N	24" (8" x 16")
H	44126	26" (6" x 20")
	44119	19" (12" x 7") (3/8") @ 45°
	44117	17" (7" x 10") (3/8") @ 45°



EXTENSION ARMS

REF	PART #	ITEM DESCRIPTION
I	44012H	12" with Spring Hinge Joint
	44014HS	12" with Hinge Joint
	44014LC	12" with Cam Latch Joint
J	44014C	14" with Clip Joint
	44016C	16" with Clip Joint
	44020C	20" with Clip Joint
	44115	Hinged 12" x 12"
K	44614LC	14" with Cam Latch Mount



STRAIGHT ARMS

REF	PART #	ITEM DESCRIPTION
	44012N	12"
L	44120N	20"
	44118C	18" with 1 Cam Joint
M	44120C	20" with 1 Cam Joint

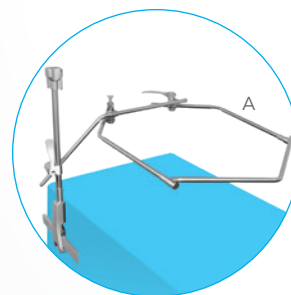
Lower Abdominal Bars (ONE PIECE)



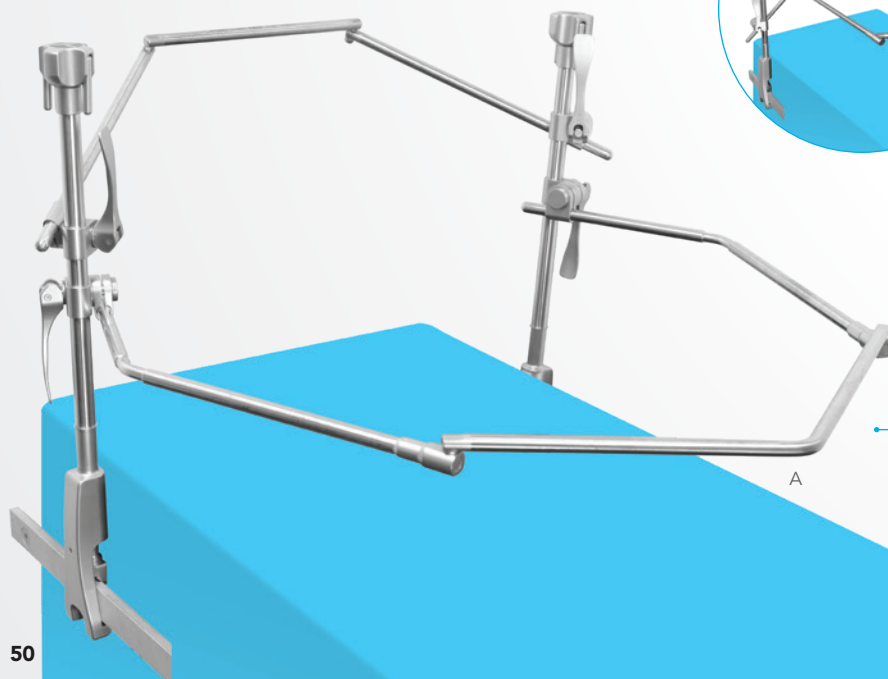
The single piece **Lower Abdominal Bar** helps improve lower abdominal exposure while maintaining ease of use and the ability to independently position the lateral arms. The unique single-piece design is easy to set up and reduces instrument counts, while adding additional space and support for lower abdominal retractors.

LOWER ABDOMINAL BARS

REF	PART #	ITEM DESCRIPTION
	44112SP	20" (14" x 6")
A	44111SP	18" (10" x 8")
	44110SP	16" (10" x 6")



The Lower Abdominal Bar may be used **unilaterally** for general surgery exposures.



The Lower Abdominal Bar may be used **bilaterally** for large procedures.

Lower Abdominal Bars (THREE PIECE)



Use two **Double Angled Arms** and one **Angled Closure Arm** to create additional space and support for lower abdominal retractors.

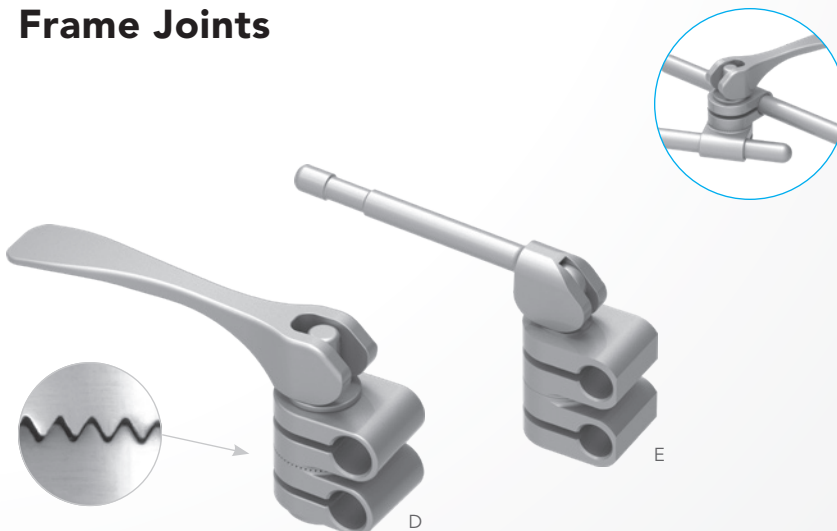
DOUBLE ANGLED ARMS

REF	PART #	ITEM DESCRIPTION
	44122DB	22" (7" x 9" x 7")
B	44128DB	28" (7 ¼" x 13 ½" x 7 ¼")

ANGLED CLOSURE ARMS

REF	PART #	ITEM DESCRIPTION
	44109B	9" (4 ½" x 4 ½")
C	44113B	13" (6 ½" x 6 ½")
	44118B	18" (9" x 9")
	44121B	21" (10 ½" x 10 ½")

Frame Joints



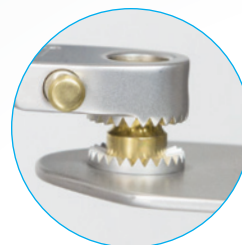
One piece ½" x ½" **Frame Joints** are ideal for attaching ½" frame components, such as frame arms and crossbars, to other frame components.

FRAME JOINTS

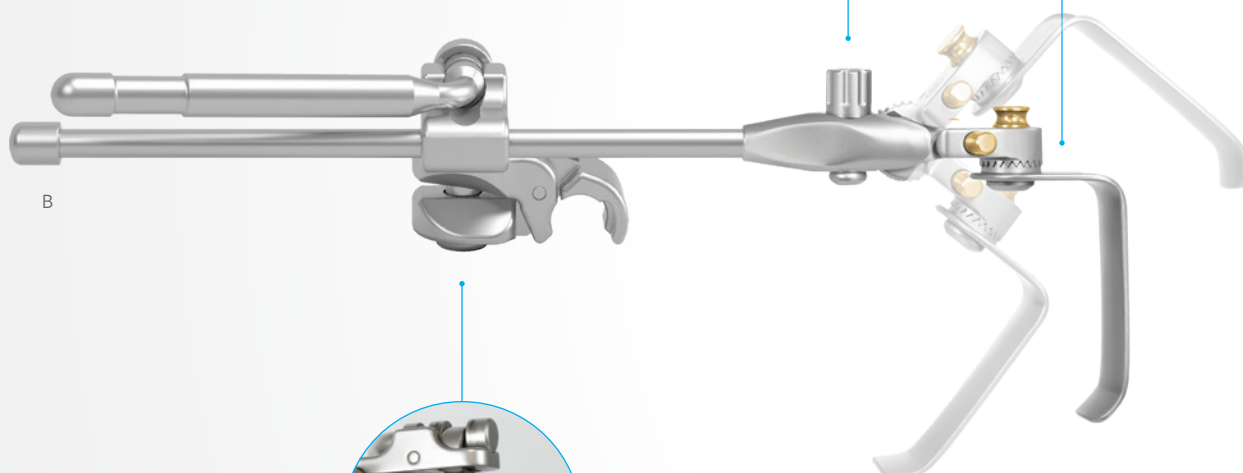
REF	PART #	ITEM DESCRIPTION
D	43112C	Cam III Serrated Slide-on Joint ½" x ½"
E	42110C	Cam I Slide-on Joint ½" x ½"

Retractor Handles CAM II CLIP-ON

S-Lock® Technology provides the option to naturally align with tissue in the 'swivel' position, or precisely place blades in 'locked' position, with the push of a button.



NEW Quick Angle Handles, allow blades to be toed in or out 45° to help maintain a low-profile operating field and achieve better exposure.



Upgraded "pinch" joint feature allows for easier removal from frame.



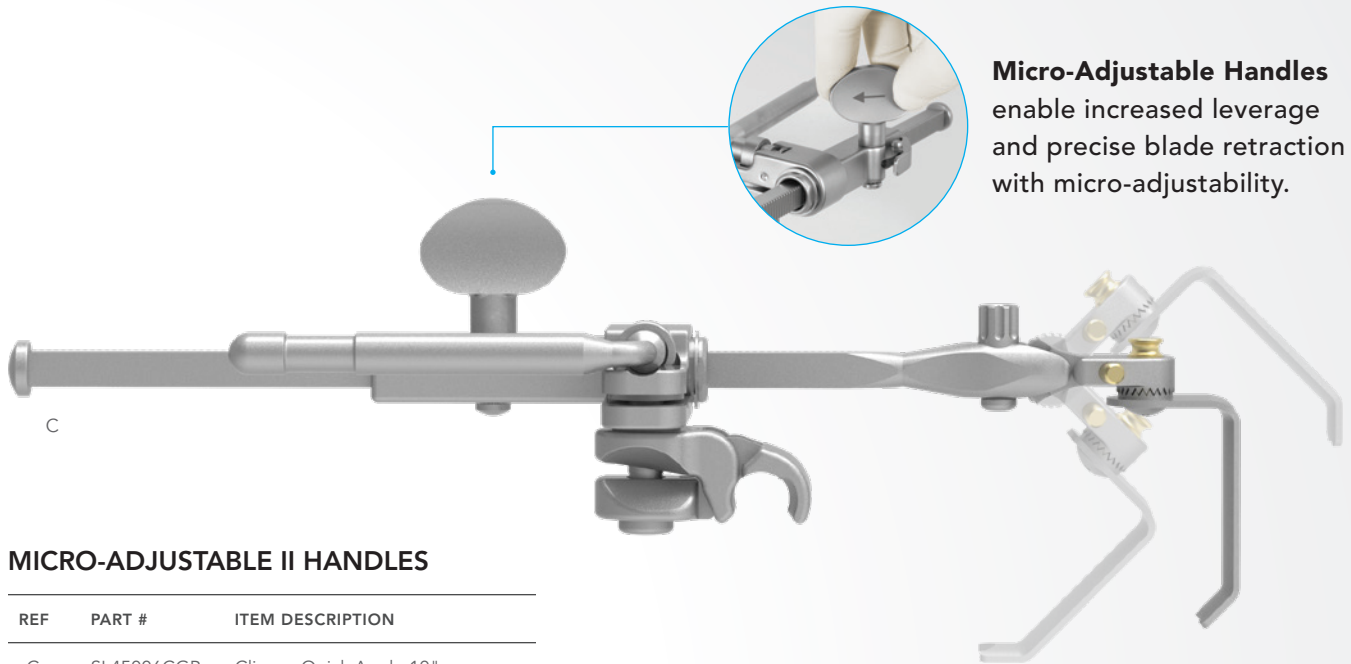
T-HANDLE

REF	PART #	ITEM DESCRIPTION
A	60020	T-Handle

CAM II CLIP-ON HANDLES

REF	PART #	ITEM DESCRIPTION
B	SL42126WGP	Cam II Clip-on Quick Angle 8"
	SL42126WGLP	Cam II Clip-on Quick Angle 10"
	SL42126WHP	Cam II Clip-on 8" (non-angling)
	SL42126WHLP	Cam II Clip-On 10" (non-angling)
	SL42127WGP	Cam II Clip-on Quick Angle 8" (½")

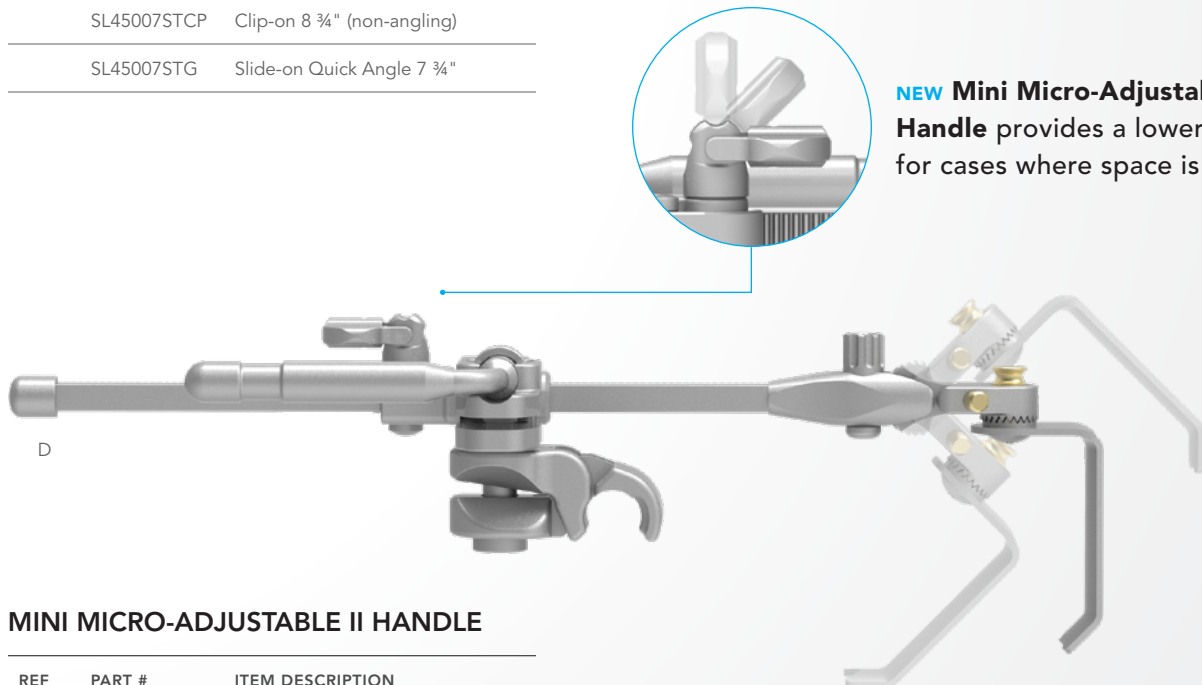
Retractor Handles MICRO-ADJUSTABLE II



Micro-Adjustable Handles enable increased leverage and precise blade retraction with micro-adjustability.

MICRO-ADJUSTABLE II HANDLES

REF	PART #	ITEM DESCRIPTION
C	SL45006CGP	Clip-on Quick Angle 10°
	SL45007CGP	Clip-on Quick Angle 7 ¾°
	SL45006CGRP	Clip-on Quick Angle 15°
	SL45007PGP	Clip-on Quick Angle 20°
	SL45006STCP	Clip-on 10 ¾° (non-angling)
	SL45007STCP	Clip-on 8 ¾° (non-angling)
	SL45007STG	Slide-on Quick Angle 7 ¾°



NEW Mini Micro-Adjustable Handle provides a lower profile for cases where space is limited.

MINI MICRO-ADJUSTABLE II HANDLE

REF	PART #	ITEM DESCRIPTION
D	SL45011CGP	Clip-on Quick Angle 9°

Retractor Handles (CONTINUED)



Screw down **Universal Joints** provide extra controlled blade placement of **S-Lock® Handles**.

UNIVERSAL JOINTS + S-LOCK HANDLES

REF	PART #	ITEM DESCRIPTION
A	SL45003GS	Quick Angle Handle 8"
	SL45003GSL	Quick Angle Handle 10"
	SL45003L	Handle 8" (non-angling)
	SL45003LM	Handle 10" (non-angling)
B	42126NCP	Clip-on Joint 1/2" x 1/4"
C	42125N	Slide-on Joint 1/2" x 1/4"



QUICK ANGLE HAND HELD ADAPTER

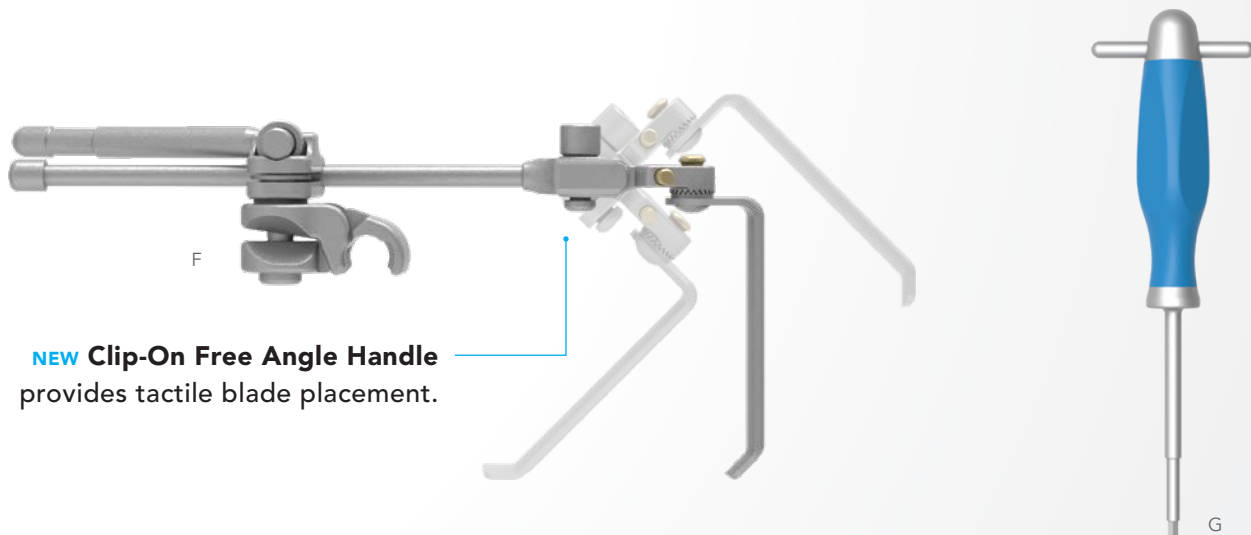
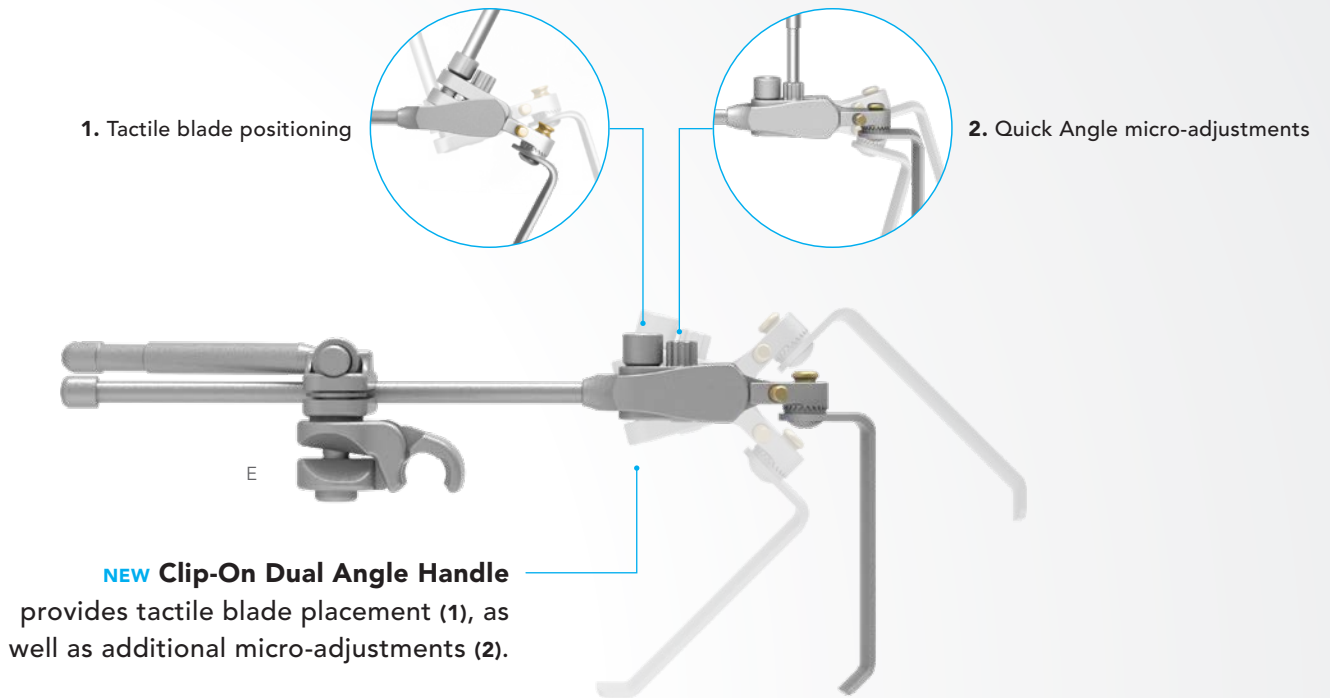
REF	PART #	ITEM DESCRIPTION
D	SL42128G	Quick Angle Hand Held Adapter



NON-THOMPSON RETRACTOR SYSTEM USERS:

Thompson's innovative S-Lock® Quick Angle technology and blades may be added to other retractor systems with the use of an adapter handle. Call or visit us online for ordering information.

Retractor Handles (CONTINUED)



DUAL ANGLE + FREE ANGLE HANDLES

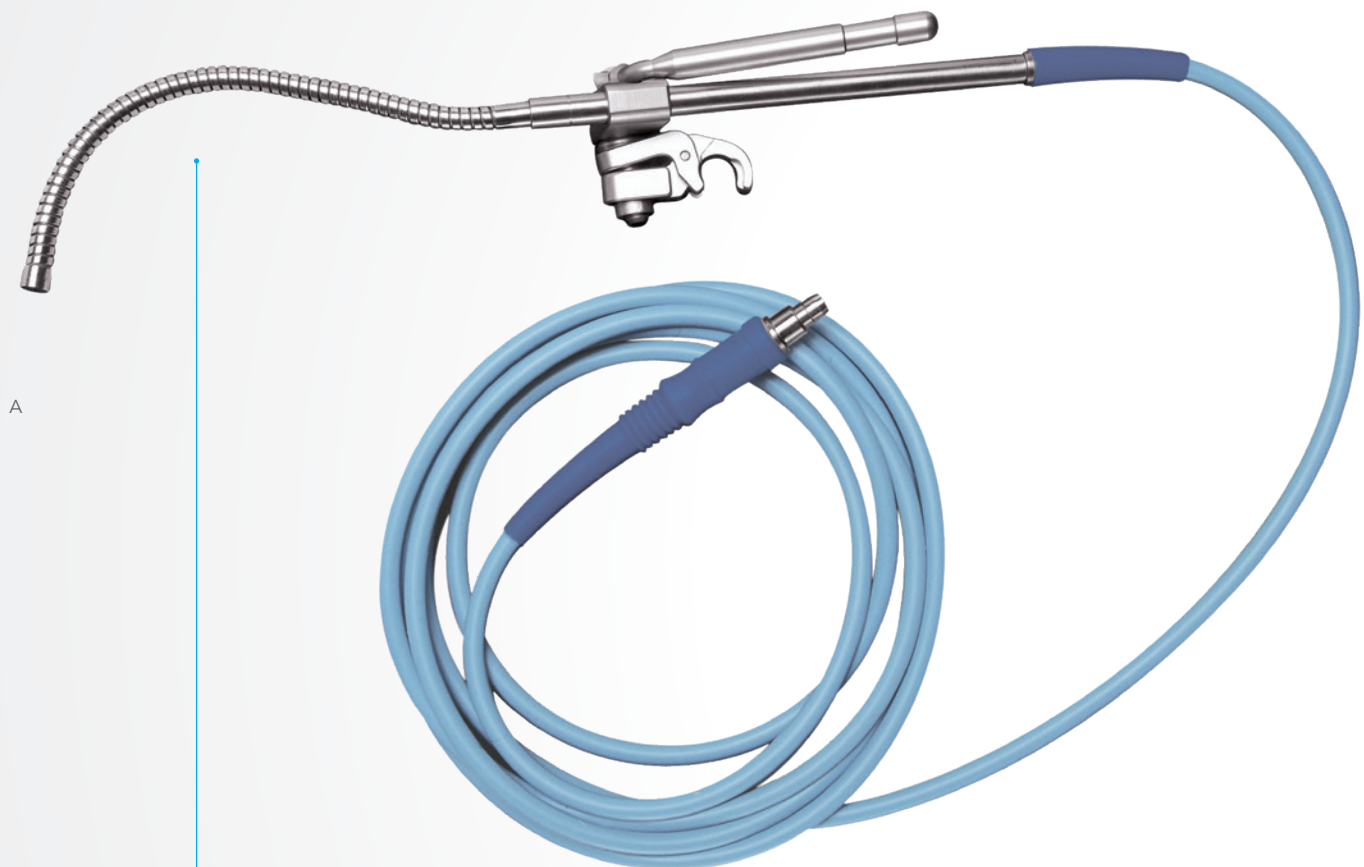
REF	PART #	ITEM DESCRIPTION
E	SL42126WDP	Clip-On Dual Angle 8"
F	SL42126WFP	Clip-On Free Angle 8"

HEX TOOL

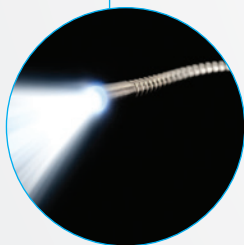
REF	PART #	ITEM DESCRIPTION
G	60021	Hex Tool 3/16" with T-Handle

Illumination

Lite Wand Xe easily clips anywhere on your Thompson Retractor frame. (Optionally, lite may be attached to any Thompson Retractor blade with a single use Lite Clip.)



A



The **bendable gooseneck** allows light to reach the deepest cavities, improving illumination where it is needed most.

LITE WAND XE WITH ACMI CABLE

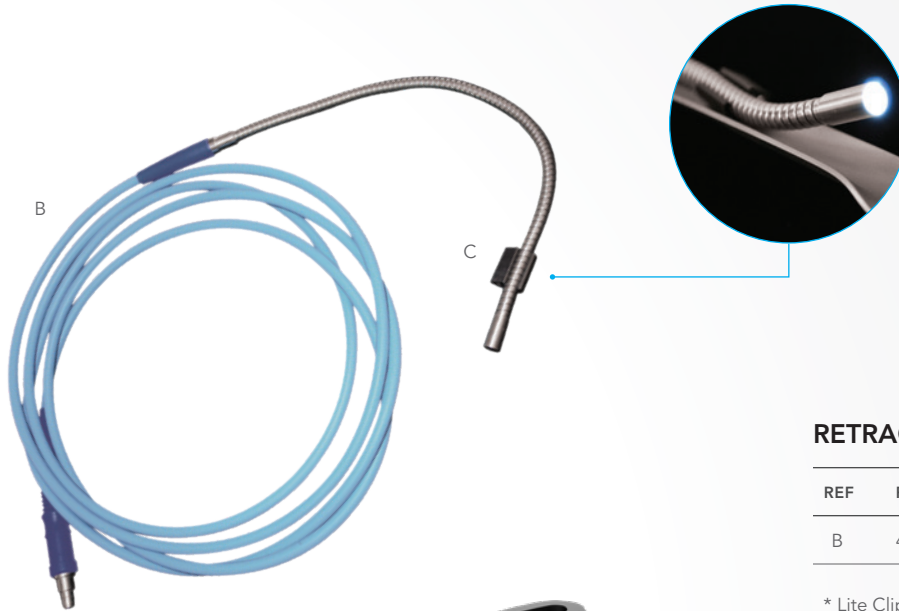
REF	PART #	ITEM DESCRIPTION
A	40020X	Lite Wand Xe



NOTICE:

Xenon light source (not included) required for use.

Illumination (CONTINUED)



Attach **Lite Wand Xe** or **Retractor Lite Xe** to any Thompson Retractor blade with the use of a single use Lite Clip.

RETRACTOR LITE XE WITH ACMI CABLE

REF	PART #	ITEM DESCRIPTION
B	40020RX	Retractor Lite Xe *

* Lite Clip (#40024) required for use of Retractor Lite Xe.



LITE CLIP (SINGLE USE)

REF	PART #	ITEM DESCRIPTION
C	40024	Lite Clip - Single Use (Radiopaque)



LITE INSTRUMENT TRAY

REF	PART #	ITEM DESCRIPTION
D	50000LW	Instrument Tray - Lite Wand



LITE CABLE ADAPTERS

REF	PART #	ITEM DESCRIPTION
E	40017	Lite Wand II Olympus Adapter
F	40018	Lite Wand II Wolf Adapter
G	40019	Lite Wand II Storz Adapter

COMPONENTS + ACCESSORIES

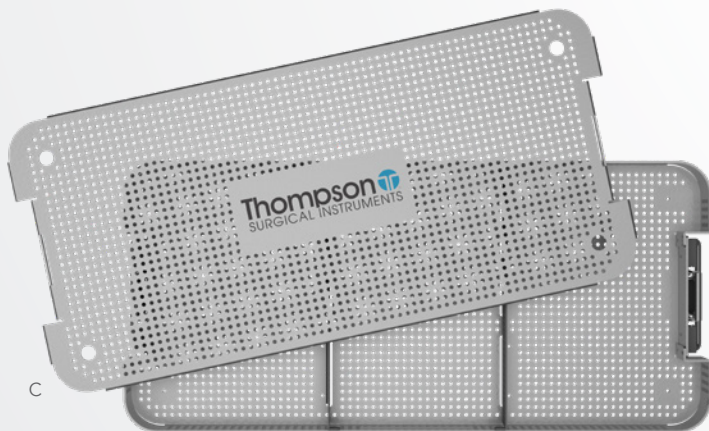
Instrument Cases - General



A



B



C

INSTRUMENT CASES

REF	PART #	ITEM DESCRIPTION
A	50000G	23" x 11" x 3 1/2"
B	50000BL	26" x 10" x 5"

ORGANIZED INSTRUMENT CASES

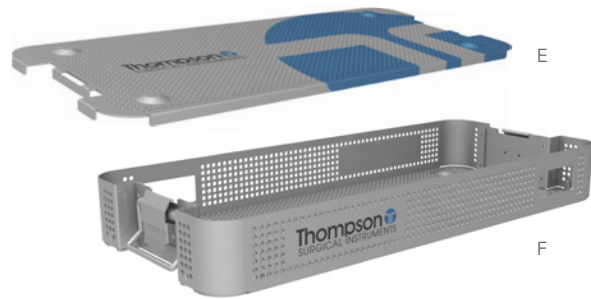
REF	PART #	ITEM DESCRIPTION
	50000HPB	Hepatobiliary 22" x 11" x 3 1/2"
C	50000A3	Accessory - 3 Compartments 23" x 10 3/4" x 2 1/2"

Instrument Cases - Anterior Lumbar Blades



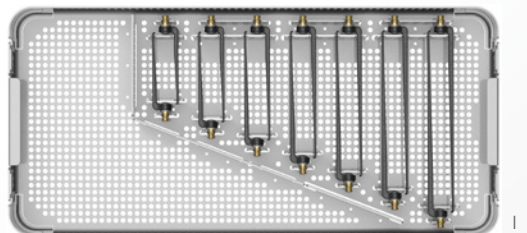
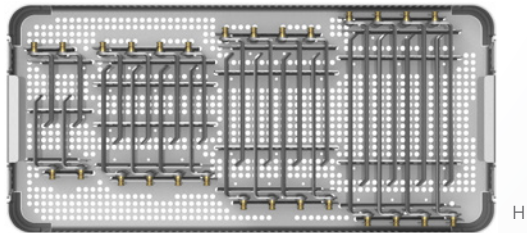
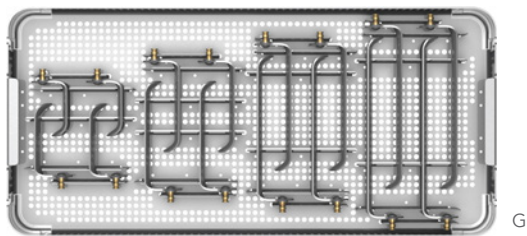
ORGANIZED INSTRUMENT CASES

REF	PART #	ITEM DESCRIPTION
D	50000ALR	AL Renal Vein Blades
	50000ALT	Anterior Lumbar
	50000ERL	Expanded Reverse Lip ASA
	50000RLT	Reverse Lip ASA



INSTRUMENT CASE LID AND BASE (used with Organized Instrument Tray Inserts)

REF	PART #	ITEM DESCRIPTION
E	50000L	Instrument Tray Lid
F	50000U1	Instrument Tray Base - 1 Level 23 1/2" x 10 1/4" x 3"



ORGANIZED INSTRUMENT TRAY INSERTS (#50000U1 and #50000L required for use)

REF	PART #	ITEM DESCRIPTION
G	50000RB	Instrument Tray Insert - Richardson Blades
H	50000RV	Instrument Tray Insert - Renal Vein Blades
I	50000FV	Instrument Tray Insert - Fine Vessel Blades

COMPONENTS + ACCESSORIES

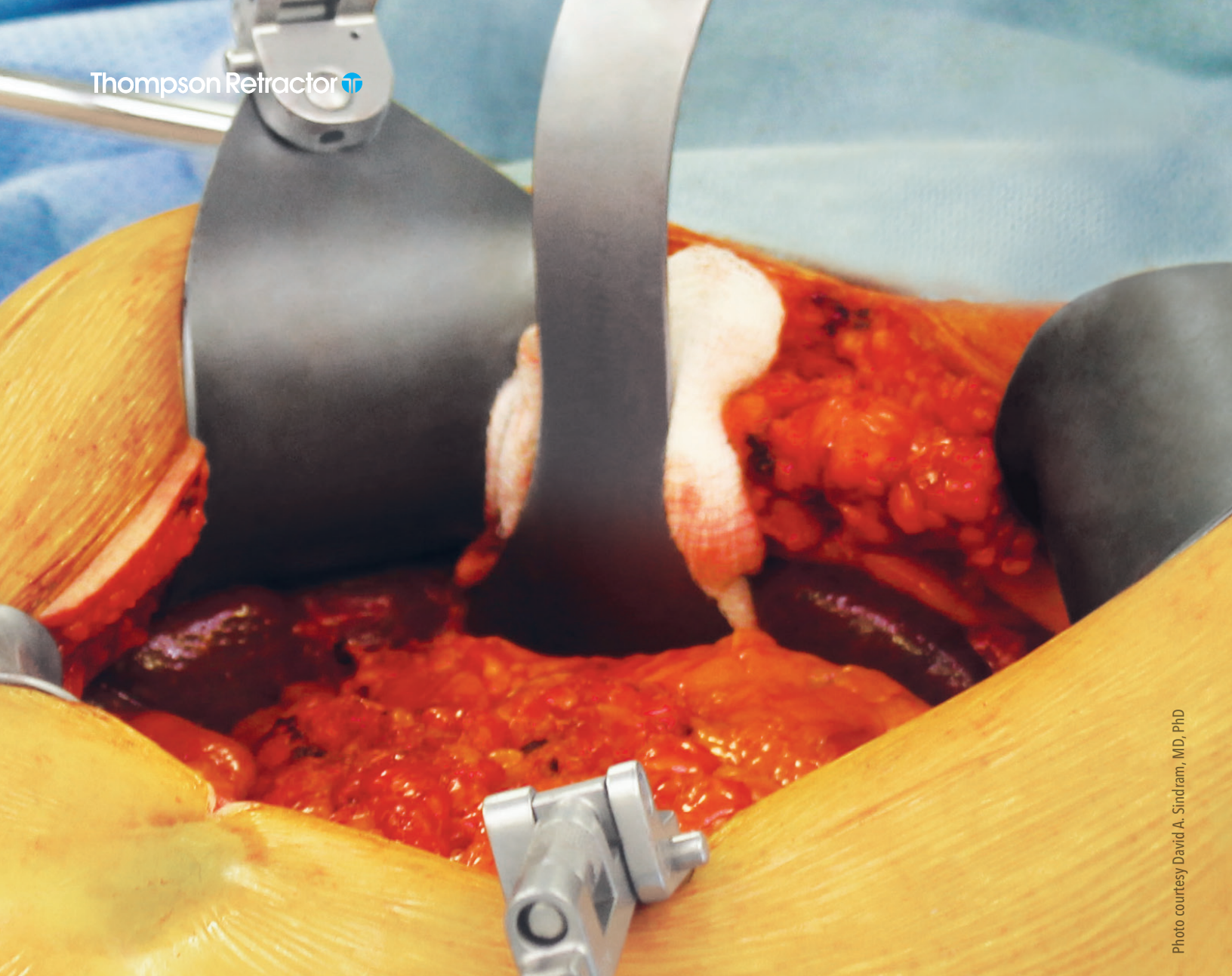


Photo courtesy David A. Sindram, MD, PhD

Surgeons benefit from the Thompson Retractor's ability to provide Uncompromised Exposure for a variety of procedures ranging from basic to complex liver, abdominal, and pelvic cases.

BLADES:

S-Lock® Retractor Blades

Balfour.....	62-63
Fence	64
Kelly	64
Richardson.....	64-65
Mini-Open.....	65
Malleable	65-67
Splanchnich.....	67
St. Marks	67
Fenestrated.....	67
Harrington ("Sweetheart")	68
Weinberg	68
Deaver.....	68
Renal Blades.....	68-69
Reverse Lip Anterior Lumbar.....	70
Head / Neck.....	71
Rake	71
Urology	72-73
GYN	73
Rectal	73



Balfour [small lips]

Costal margin or abdominal wall retraction.



Balfour - Anodized Aluminum [small lips]

Radiolucent costal margin or abdominal wall retraction.

BALFOUR [SMALL LIPS] *

PART #	ITEM DESCRIPTION
SO46140C	70mm x 73mm (2 ¾" x 3")
SO46141C	83mm x 73mm (3 ¼" x 3")
SO46140CET	Radiolucent 65mm x 72mm (2 ½" x 2 ¾")
SO46141CET	Radiolucent 83mm x 70mm (3 ¼" x 2 ¾")

BALFOUR - ANODIZED ALUMINUM [SMALL LIPS] *

PART #	ITEM DESCRIPTION
SO46140CEB	Radiolucent 65mm x 72mm (2 ½" x 2 ¾")
SO46141CEB	Radiolucent 83mm x 70mm (3 ¼" x 2 ¾")



Balfour [with lips]

Costal margin or abdominal wall retraction.



Balfour - Anodized Aluminum [with lips]

Radiolucent costal margin or abdominal wall retraction.

BALFOUR [WITH LIPS] *

PART #	ITEM DESCRIPTION
SL46142	32mm x 32mm (1 ¼" x 1 ¼")
SL46142P	51mm x 54mm (2" x 2")
SL46140P	76mm x 51mm (3" x 2")
SO46140	70mm x 73mm (2 ¾" x 3")
SO46141	83mm x 73mm (3 ¼" x 3")
SO46141D	83mm x 123mm (3 ¼" x 5")
SO46141F	83mm x 175mm (3 ¼" x 6 ")
SL46142ET	Radiolucent 32mm x 32mm (1 ¼" x 1 ¼")
SL46140ET **	Radiolucent 65mm x 72mm (2 ½" x 2 ¾")
SO46140ET	Radiolucent 65mm x 72mm (2 ½" x 2 ¾")
SL46141ET **	Radiolucent 83mm x 70mm (3 ¼" x 2 ¾")
SO46141ET	Radiolucent 83mm x 70mm (3 ¼" x 2 ¾")
SO46141DET	Radiolucent 83mm x 127mm (3 ¼" x 5")

BALFOUR - ANODIZED ALUMINUM [WITH LIPS] *

PART #	ITEM DESCRIPTION
SL46142EB	Radiolucent 32mm x 32mm (1 ¼" x 1 ¼")
SL46142PEB	Radiolucent 51mm x 51mm (2" x 2")
SO46140EB	Radiolucent 65mm x 72mm (2 ½" x 2 ¾")
SO46141EB	Radiolucent 83mm x 70mm (3 ¼" x 2 ¾")
SO46141DEB	Radiolucent 83mm x 127mm (3 ¼" x 5")

* Balfour blades may be ordered with small lips or without lips. Call your Thompson representative to order.
 ** For anterior lumbar use only.



NEW Non-Slip Balfour

Left and right blades align with anatomy, reducing slippage on costal margin retraction.

NON-SLIP BALFOUR (Radiopaque)

PART #	ITEM DESCRIPTION
SO46170C	Right 77mm x 94mm (3" x 3 ¾")
SO46171C	Left 77mm x 94mm (3" x 3 ¾")
SO46170B	Right 77mm x 66mm (3" x 2 ½")
SO46171B	Left 77mm x 66mm (3" x 2 ½")



NEW Non-Slip Balfour - Anodized Aluminum

Radiolucency provides the ability to leave retraction in place during imaging. Left and right blades align with anatomy, reducing slippage on costal margin retraction.

NON-SLIP BALFOUR - ANODIZED ALUMINUM

PART #	ITEM DESCRIPTION
SO46170CEB	Radiolucent Right 77mm x 94mm (3" x 3 ¾")
SO46171CEB	Radiolucent Left 77mm x 94mm (3" x 3 ¾")
SO46170BEB	Radiolucent Right 77mm x 66mm (3" x 2 ½")
SO46171BEB	Radiolucent Left 77mm x 66mm (3" x 2 ½")

Thompson recommends using both Left and Right Non-Slip Balfour blades together for optimal results. Non-Slip Balfour blades are indicated for costal margin (rib cage) retraction.



Wide Balfour

Costal margin or abdominal wall retraction (no lips).

WIDE BALFOUR (ROCHARD)

PART #	ITEM DESCRIPTION
SO46241A	83mm x 57mm (3 ¼" x 2 ¼")
SO46241B	100mm x 61mm (4" x 2 ⅝")
SO46241C	114mm x 63mm (4 ½" x 2 ½")
SO46241AEB	Radiolucent 83mm x 57mm (3 ¼" x 2 ¼") [Anodized Aluminum]
SO46241BEB	Radiolucent 102mm x 57mm (4" x 2 ¼") [Anodized Aluminum]
SO46241CEB	Radiolucent 114mm x 57mm (4 ½" x 2 ¼") [Anodized Aluminum]



Fence

Lateral retraction of abdominal wall on large procedures.

FENCE

PART #	ITEM DESCRIPTION
SO46134	102mm x 102mm (4" x 4")
SO46135	102mm x 127mm (4" x 5")
SO46136	102mm x 152mm (4" x 6")
SO46136A	102mm x 203mm (4" x 8")
SO46134ET	Radiolucent 102mm x 102mm (4" x 4")
SO46135ET	Radiolucent 102mm x 127mm (4" x 5")
SO46136ET	Radiolucent 102mm x 152mm (4" x 6")
SO46136AET	Radiolucent 102mm x 203mm (4" x 8")



Kelly

Abdominal or incisional wall retraction.

KELLY

PART #	ITEM DESCRIPTION
SL46127	38mm x 51mm (1 1/2" x 2")
SL46128	51mm x 64mm (2" x 2 1/2")
SO46129	64mm x 76mm (2 1/2" x 3")
SO46130	76mm x 89mm (3" x 3 1/2")
SL46127ET	Radiolucent 38mm x 51mm (1 1/2" x 2")
SL46128ET	Radiolucent 51mm x 64mm (2" x 2 1/2")
SO46129ET	Radiolucent 64mm x 76mm (2 1/2" x 3")
SO46130ET	Radiolucent 76mm x 89mm (3" x 3 1/2")



Richardson

Abdominal wall retraction.

RICHARDSON

PART #	ITEM DESCRIPTION
SL46149	44mm x 51mm (1 3/4" x 2")
SL46154	51mm x 76mm (2" x 3")
SL46150	51mm x 102mm (2" x 4")
SO46151	51mm x 127mm (2" x 5")
SL46151	51mm x 127mm (2" x 5")
SO46152	51mm x 152mm (2" x 6")
SL46152	51mm x 152mm (2" x 6")
SO46153	51mm x 178mm (2" x 7")
SL46153	51mm x 178mm (2" x 7")
SL46420ET	Radiolucent 50mm x 40mm (2" x 1 1/2")
SL46422ET	Radiolucent 50mm x 60mm (2" x 2 3/8")
SL46424ET	Radiolucent 50mm x 80mm (2" x 3 1/8")
SL46426ET	Radiolucent 50mm x 100mm (2" x 4")
SL46428ET	Radiolucent 50mm x 120mm (2" x 4 3/4")
SL46430ET	Radiolucent 50mm x 140mm (2" x 5 1/2")
SL46432ET	Radiolucent 50mm x 160mm (2" x 6 1/4")
SL46434ET	Radiolucent 50mm x 180mm (2" x 7")
SL46436ET	Radiolucent 50mm x 200mm (2" x 7 7/8")
SL46437ET	Radiolucent 50mm x 210mm (2" x 8 1/4")
SL46438ET	Radiolucent 50mm x 220mm (2" x 8 5/8")
SL46439ET	Radiolucent 50mm x 230mm (2" x 9")
SL46440ET	Radiolucent 50mm x 240mm (2" x 9 1/2")
SL46441ET	Radiolucent 50mm x 250mm (2" x 9 7/8")
SL46154ET	Radiolucent 51mm x 76mm (2" x 3")
SL46150ET	Radiolucent 51mm x 102mm (2" x 4")
SO46151ET	Radiolucent 51mm x 127mm (2" x 5")
SO46152ET	Radiolucent 51mm x 152mm (2" x 6")
SO46153ET	Radiolucent 51mm x 178mm (2" x 7")



Mini-Richardson

Muscle retraction for exposures with small or mini-incision.

MINI-RICHARDSON (Radiopaque)

PART #	ITEM DESCRIPTION
SL46125	19mm x 25mm (¾" x 1")
SL46125A	19mm x 51mm (¾" x 2")
SL46126	25mm x 32mm (1" x 1 ¼")



Mini-Open Double Angled

Muscle retraction for exposures with small or mini-incision.

MINI-OPEN DOUBLE ANGLED (Radiopaque)

PART #	ITEM DESCRIPTION
SL46224	51mm x 127mm (2" x 5")
SL46225	51mm x 152mm (2" x 6")
SL46226	51mm x 165mm (2" x 6 ½")
SL46227	Deep 51mm x 127mm (2" x 5")



Mini-Open Richardson

Muscle retraction for exposures with small or mini-incision.

MINI-OPEN RICHARDSON (Radiopaque)

PART #	ITEM DESCRIPTION
SL46155	51mm x 76mm (2" x 3")
SO46155	51mm x 76mm (2" x 3")
SL46156	51mm x 102mm (2" x 4")
SO46156	51mm x 102mm (2" x 4")
SL46157	51mm x 127mm (2" x 5")
SO46157	51mm x 127mm (2" x 5")
SL46158	51mm x 152mm (2" x 6")
SO46158	51mm x 152mm (2" x 6")



Mini-Open Malleable

Soft tissue retraction for exposures with small or mini-incision.

MINI-OPEN MALLEABLE (Radiopaque)

PART #	ITEM DESCRIPTION
SL46220	25mm x 75mm (1" x 3")
SL46221	25mm x 100mm (1" x 4")
SL46222	25mm x 125mm (1" x 5")



Malleable

Ideal for soft tissue retraction. Malleable design offers versatility.

MALLEABLE

PART #	ITEM DESCRIPTION
SL45656A *	25mm x 110 mm (1" x 4 5/16")
SL45657A *	13mm x 90mm (1/2" x 3 1/2")
SL46115	13mm x 64mm (1/2" x 2 1/2")
SL46116	13mm x 152mm (1/2" x 6")
SL46117	13mm x 203mm (1/2" x 8")
SL46118	25mm x 203mm (1" x 8")
SL46118P	25mm x 104mm (1" x 4")
SL46118A	25mm x 254mm (1" x 10")
SL46118B	38mm x 254mm (1 1/2" x 10")
SL46119	25mm x 127mm (1" x 5")
SL46122P	51mm x 102mm (2" x 4")
SL46122	51mm x 203mm (2" x 8")
SL46122A	51mm x 254mm (2" x 10")
SL46123	38mm x 203mm (1 1/2" x 8")
SL46124	64mm x 254mm (2 1/2" x 10")
SO46124A	76mm x 254mm (3" x 10")
SO46124B	102mm x 254mm (4" x 10")
SL46120	38mm x 102mm (1 1/2" x 4")
SL46113	76mm x 165mm (3" x 6 1/2")
SL46112	51mm x 165mm (2" x 6 1/2")
SL46120B	38mm x 152mm (1 1/2" x 6")
SL46120A	38mm x 127mm (1 1/2" x 5")
SL45656AT *	Radiolucent 25mm x 110mm (1" x 4 1/2")
SL45657AT *	Radiolucent 13mm x 90mm (1/2" x 3 1/2")
SL46115ET	Radiolucent 13mm x 64mm (1/2" x 2 1/2")

MALLEABLE (Continued)

PART #	ITEM DESCRIPTION
SL46116ET	Radiolucent 13mm x 152mm (1/2" x 6")
SL46117ET	Radiolucent 13mm x 203mm (1/2" x 8")
SL46118ET	Radiolucent 25mm x 203mm (1" x 8")
SL46118PET	Radiolucent 25mm x 102mm (1" x 4")
SL46122AET	Radiolucent 51mm x 254mm (2" x 10")
SL46122ET	Radiolucent 51mm x 203mm (2" x 8")
SL46124ET	Radiolucent 64mm x 254mm (2 1/2" x 10")
SO46124AET	Radiolucent 76mm x 254mm (3" x 10")
SO46124BET	Radiolucent 102mm x 254mm (4" x 10")

* Blades are pre-bent; measured from bend to distal end.



Malleable Slotted

Soft tissue retraction. Slots create additional malleability.

MALLEABLE SLOTTED (Radiopaque)

PART #	ITEM DESCRIPTION
SL46122V	51mm x 203mm (2" x 8")
SO46124AV	76mm x 203mm (3" x 8")
SL46202	51mm x 165mm (2" x 6 1/2")
SO46203	76mm x 165mm (3" x 6 1/2")



Malleable Finger
Gentle organ retraction.

MALLEABLE FINGER

PART #	ITEM DESCRIPTION
SL46191SP	76mm (3")
SL46191P	102mm (4")
SL46191	152mm (6")
SL46191L	203mm (8")
SL46191ET	Radiolucent 152mm (6")



St. Marks
Soft tissue retraction.

ST. MARKS

PART #	ITEM DESCRIPTION
SO46187A	[no lip] 64mm x 178mm (2 ½" x 7")
SO46188	[with lip] 64mm x 178mm (2 ½" x 7")
SO46189	[with lip] 64mm x 140mm (2 ½" x 5 ½")
SO46189ET	Radiolucent [with lip] 64mm x 140mm (2 ½" x 5 ½")
SO46188ET	Radiolucent [with lip] 64mm x 178mm (2 ½" x 7")



Splanchnich
Abdominal wall or soft tissue retraction.

SPLANCHNICH

PART #	ITEM DESCRIPTION
SL46145	51mm x 114mm (2" x 4 ½")
SL46146	51mm x 152mm (2" x 6")
SL46148ET	Radiolucent 25mm x 152mm (1" x 6")
SL46159ET	Radiolucent 25mm x 203mm (1" x 8")
SL46145ET	Radiolucent 51mm x 114mm (2" x 4 ½")
SL46146ET	Radiolucent 51mm x 152mm (2" x 6")
SL46147ET	Radiolucent 51mm x 203mm (2" x 8")



Fenestrated
Abdominal or incisional wall retraction.

FENESTRATED (Radiopaque)

PART #	ITEM DESCRIPTION
SL46143	44mm x 89mm (1 ¾" x 3 ½")
SL46144	48mm x 127mm (1 7/8" x 5")



Harrington ("Sweetheart")

Ideal for organ or soft tissue retraction.

HARRINGTON

PART #	ITEM DESCRIPTION
SL46162P	38mm x 127mm (1 ½" x 5")
SL46165	64mm x 102mm (2 ½" x 4")
SL46160	64mm x 152mm (2 ½" x 6")
SL46163	64mm x 203mm (2 ½" x 8")
SL46164	64mm x 254mm (2 ½" x 10")
SL46161	114mm x 254mm (4 ½" x 10")
SL46160ET	Radiolucent 64mm x 152mm (2 ½" x 6")
SO46160ET	Radiolucent 64mm x 152mm (2 ½" x 6")
SL46163ET	Radiolucent 64mm x 203mm (2 ½" x 8")
SL46164ET	Radiolucent 64mm x 254mm (2 ½" x 10")
SL46165ET	Radiolucent 64mm x 102mm (2 ½" x 4")



Deaver

Aids in soft tissue retraction.

DEAVER [NON-MALLEABLE]

PART #	ITEM DESCRIPTION
SL46170	25mm x 127mm (1" x 5")
SL46172	38mm x 127mm (1 ½" x 5")
SL46174	51mm x 127mm (2" x 5")
SO46175	64mm x 127mm (2 ½" x 5")
SO46176	76mm x 127mm (3" x 5")
SO46178	102mm x 127mm (4" x 5")
SL46170ET	Radiolucent 25mm x 127mm (1" x 5")
SL46172ET	Radiolucent 38mm x 127mm (1 ½" x 5")
SL46174ET	Radiolucent 51mm x 127mm (2" x 5")
SO46175ET	Radiolucent 64mm x 127mm (2 ½" x 5")
SL46176ET *	Radiolucent 76mm x 127mm (3" x 5")
SO46176ET	Radiolucent 76mm x 127mm (3" x 5")
SL46178ET *	Radiolucent 102mm x 127mm (4" x 5")
SO46178ET	Radiolucent 102mm x 127mm (4" x 5")

* For anterior lumbar use only.



Weinberg

Abdominal wall retraction.

FIXED WEINBERG (Radiopaque) *

PART #	ITEM DESCRIPTION
42520	102mm x 152mm (4" x 6")
42521	83mm x 133mm (3 ¼" x 5 ¼")
42522	102mm x 203mm (4" x 8")

* ½" fixed handle requires ½" x ½" joint for use, see page 49.



Malleable Renal

Renal vein or vessel retraction.

MALLEABLE RENAL (Radiopaque)

PART #	ITEM DESCRIPTION
SL46118R	25mm x 203mm (1" x 8")



Concave Short Neck Renal

Rigid, low profile vessel retraction.

CONCAVE SHORT NECK RENAL

PART #	ITEM DESCRIPTION
SL46558	Radiolucent 25mm x 80mm (1" x 3 1/8")
SL46559	Radiolucent 25mm x 90mm (1" x 3 1/2")
SL46560	Radiolucent 25mm x 100mm (1" x 4")
SL46561	Radiolucent 25mm x 110mm (1" x 4 3/8")
SL46562	Radiolucent 25mm x 120mm (1" x 4 3/4")
SL46563	Radiolucent 25mm x 130mm (1" x 5 1/8")
SL46564	Radiolucent 25mm x 140mm (1" x 5 1/2")
SL46565	Radiolucent 25mm x 150mm (1" x 5 7/8")
SL46566	Radiolucent 25mm x 160mm (1" x 6 1/4")
SL46567	Radiolucent 25mm x 170mm (1" x 6 5/8")
SL46568	Radiolucent 25mm x 180mm (1" x 7")
SL46569	Radiolucent 25mm x 190mm (1" x 7 1/2")
SL46570	Radiolucent 25mm x 200mm (1" x 7 7/8")
SL46571	Radiolucent 25mm x 210mm (1" x 8 1/4")
SL46572	Radiolucent 25mm x 220mm (1" x 8 5/8")
SL46573	Radiolucent 25mm x 230mm (1" x 9")
SL46574	Radiolucent 25mm x 240mm (1" x 9 1/2")
SL46575	Radiolucent 25mm x 250mm (1" x 9 7/8")



Concave Round Neck Renal

Renal vein or vessel retraction.

CONCAVE ROUND NECK RENAL

PART #	ITEM DESCRIPTION
SL46119B	25mm x 140mm (1" x 5 1/2") Rigid
SL46119C	25mm x 191mm (1" x 7 1/2") Rigid

MALLEABLE ROUND NECK RENAL

PART #	ITEM DESCRIPTION
SL46119BET	Radiolucent 25mm x 140mm (1" x 5 1/2")
SL46119CET	Radiolucent 25mm x 190mm (1" x 7 1/2")



Long Neck Renal

Rigid vessel retraction.

LONG NECK RENAL

PART #	ITEM DESCRIPTION
SL46118RET	Radiolucent 25mm x 203mm (1" x 8")
SL46119RET	Radiolucent 25mm x 140mm (1" x 5 1/2")
SL46120RET	Radiolucent 25mm x 191mm (1" x 7 1/2")
SL46121RET	Radiolucent 25mm x 254mm (1" x 10")
SL46122RET	Radiolucent 25mm x 305mm (1" x 12")



Brau Reverse Lip Rigid

Engages at the lateral aspect of the disc and vertebral body to expose the anterior lumbar spine.

BRAU REVERSE LIP RIGID

PART #	ITEM DESCRIPTION
SL46258RET	Radiolucent 25mm x 80mm (1" x 3 1/8")
SL46259RET	Radiolucent 25mm x 90mm (1" x 3 1/2")
SL46260RET	Radiolucent 25mm x 100mm (1" x 4")
SL46261RET	Radiolucent 25mm x 110mm (1" x 4 3/8")
SL46262RET	Radiolucent 25mm x 120mm (1" x 4 3/4")
SL46263RET	Radiolucent 25mm x 130mm (1" x 5 1/8")
SL46264RET	Radiolucent 25mm x 140mm (1" x 5 1/2")
SL46265RET	Radiolucent 25mm x 150mm (1" x 5 7/8")
SL46266RET	Radiolucent 25mm x 160mm (1" x 6 1/4")
SL46267RET	Radiolucent 25mm x 170mm (1" x 6 5/8")
SL46268RET	Radiolucent 25mm x 180mm (1" x 7")
SL46269RET	Radiolucent 25mm x 190mm (1" x 7 1/2")
SL46270RET	Radiolucent 25mm x 200mm (1" x 7 7/8")
SL46271RET	Radiolucent 25mm x 210mm (1" x 8 1/4")
SL46272RET	Radiolucent 25mm x 220mm (1" x 8 5/8")
SL46273RET	Radiolucent 25mm x 230mm (1" x 9")
SL46274RET	Radiolucent 25mm x 240mm (1" x 9 1/2")
SL46275RET	Radiolucent 25mm x 250mm (1" x 9 7/8")
SL46280RET	Radiolucent 32mm x 100mm (1 1/4" x 4")
SL46281RET	Radiolucent 32mm x 110mm (1 1/4" x 4 3/8")
SL46282RET	Radiolucent 32mm x 120mm (1 1/4" x 4 3/4")
SL46283RET	Radiolucent 32mm x 130mm (1 1/4" x 5 1/8")
SL46284RET	Radiolucent 32mm x 140mm (1 1/4" x 5 1/2")
SL46285RET	Radiolucent 32mm x 150mm (1 1/4" x 5 7/8")
SL46286RET	Radiolucent 32mm x 160mm (1 1/4" x 6 1/4")
SL46287RET	Radiolucent 32mm x 170mm (1 1/4" x 6 5/8")
SL46288RET	Radiolucent 32mm x 180mm (1 1/4" x 7")

BRAU REVERSE LIP RIGID (Continued)

PART #	ITEM DESCRIPTION
SL46289RET	Radiolucent 32mm x 190mm (1 1/4" x 7 1/2")
SL46290RET	Radiolucent 32mm x 200mm (1 1/4" x 7 7/8")
SL46291RET	Radiolucent 32mm x 210mm (1 1/4" x 8 1/4")
SL46292RET	Radiolucent 32mm x 220mm (1 1/4" x 8 5/8")
SL46293RET	Radiolucent 32mm x 230mm (1 1/4" x 9")
SL46294RET	Radiolucent 32mm x 240mm (1 1/4" x 9 1/2")
SL46295RET	Radiolucent 32mm x 250mm (1 1/4" x 9 7/8")



Brau Reverse Lip Tapered

Engages at the lateral aspect of disc and vertebral body to expose the anterior lumbar spine. Tapered design is ideal for working around osteophytes.

BRAU REVERSE LIP TAPERED

PART #	ITEM DESCRIPTION
SL46260TET	Radiolucent 25mm x 100mm (1" x 4")
SL46265TET	Radiolucent 25mm x 150mm (1" x 5 7/8")
SL46270TET	Radiolucent 25mm x 200mm (1" x 7 7/8")
SL46275TET	Radiolucent 25mm x 250mm (1" x 9 7/8")



Brau Reverse Lip Malleable

Engages at the lateral aspect of the disc and vertebral body to expose the anterior lumbar spine. Malleable design is ideal for vessel or soft tissue retraction.

BRAU REVERSE LIP MALLEABLE

PART #	ITEM DESCRIPTION
SL46192ET	Radiolucent 25mm x 200mm (1" x 7 7/8")
SL46193ET	Radiolucent 32mm x 200mm (1 1/4" x 7 7/8")



Concave Lateral

Ideal for medial and lateral retraction for head and neck procedures, such as thyroid or carotid. Concavity helps protect tissue and blunt distal end is less aggressive.

CONCAVE LATERAL (Radiopaque)

PART #	ITEM DESCRIPTION
SL45640A	18mm x 70mm (5/8" x 2 3/4")
SL45150A	19mm x 55mm (3/4" x 2 1/4")
SL45156A	25mm x 30mm (1" x 1 1/4")
SL45157A	25mm x 35mm (1" x 1 1/2")
SL45151A	25mm x 50mm (1" x 2")
SL45158A	25mm x 60mm (1" x 2 3/8")
SL45159A	25mm x 70mm (1" x 2 3/4")
SL45152A	25mm x 85mm (1" x 3 3/8")

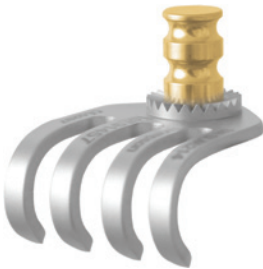


Concave Medial

Retracts anterior neck anatomy medially for head and neck exposures, such as thyroid or carotid.

CONCAVE MEDIAL (Radiopaque)

PART #	ITEM DESCRIPTION
SL45212A	13mm x 51mm (1/2" x 2")
SL45214A	13mm x 75mm (1/2" x 3")
SL45216A	13mm x 100mm (1/2" x 4")
SL45222A	19mm x 51mm (3/4" x 2")
SL45224A	19mm x 75mm (3/4" x 3")
SL45226A	19mm x 100mm (3/4" x 4")
SL45232A	25mm x 51mm (1" x 2")
SL45234A	25mm x 75mm (1" x 3")
SL45236A	25mm x 100mm (1" x 4")
SL45153A	32mm x 70mm (1 1/4" x 2 3/4")
SL45154A	38mm x 70mm (1 1/2" x 2 3/4")
SL45155A	38mm x 85mm (1 1/2" x 3 3/8")



Murphy Rake

Skin and shallow muscle retraction.

MURPHY RAKE (Radiopaque)

PART #	ITEM DESCRIPTION
SL46216	Sharp - 3 Prong 19mm x 13mm (3/4" x 1/2")
SL46214	Sharp - 4 Prong 25mm x 13mm (1" x 1/2")
SL46217	Blunt - 3 Prong 19mm x 13mm (3/4" x 1/2")
SL46215	Blunt - 4 Prong 25mm x 13mm (1" x 1/2")



Volkman

Skin and shallow muscle retraction.

VOLKMAN (Radiopaque)

PART #	ITEM DESCRIPTION
SL46210	Sharp 25mm x 13mm (1" x 1/2")
SL46211	Blunt 25mm x 13mm (1" x 1/2")
SL46212	Sharp 16mm x 13mm (5/8" x 1/2")
SL46213	Blunt 16mm x 13mm (5/8" x 1/2")

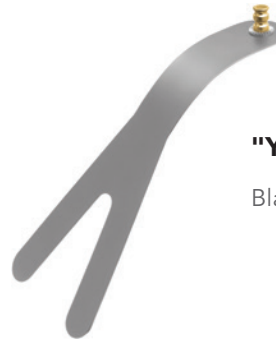


Double Angled Bulb

Bladder retraction.

DOUBLE ANGLED BULB (Radiopaque)

PART #	ITEM DESCRIPTION
SL46664	25mm x 64mm (1" x 2 1/2")



"Y" Bladder

Bladder retraction.

"Y" BLADDER (Radiopaque)

PART #	ITEM DESCRIPTION
SL46139	81mm x 216mm (3 1/8" x 8 1/2")

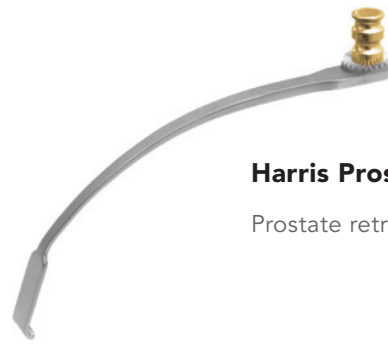


Holtgrewe

Malleable bladder retractor, designed to protect bladder during resection of prostate gland.

HOLTGREWE (Radiopaque)

PART #	ITEM DESCRIPTION
SL46137	60mm x 152mm (2 3/8" x 6")



Harris Prostate Retractor

Prostate retraction.

HARRIS PROSTATE RETRACTOR (Radiopaque)

PART #	ITEM DESCRIPTION
SL45753AM	8mm (3/8")



Bladder Blade

Bladder retraction.

BLADDER BLADE (Radiopaque)

PART #	ITEM DESCRIPTION
SL46192	35mm x 89mm (1 3/8" x 3 1/2")



Double Bladed

Bladder retraction.

DOUBLE BLADED (Radiopaque)

PART #	ITEM DESCRIPTION
SL46190	76mm x 114mm (3" x 4 1/2")



Double Angled

Soft tissue retraction.

DOUBLE ANGLED (Radiopaque)

PART #	ITEM DESCRIPTION
SL46663	13mm x 70mm (½" x 2 ¾")
SL46662	13mm x 76mm (½" x 3")
SL46661	25mm x 64mm (1" x 2 ½")
SL46660	25mm x 76mm (1" x 3")



Hill-Ferguson Rectal

Exposure for hemorrhoid surgery.

HILL-FERGUSON RECTAL (Radiopaque)

PART #	ITEM DESCRIPTION
SL46185	32mm x 76mm (1 ¼" x 3")
SL46186	25mm x 64mm (1" x 2 ½")



Heany

Abdominal or incisional wall retraction.

HEANY (Radiopaque)

PART #	ITEM DESCRIPTION
SL46180	25mm x 102mm (1" x 4")
SL46182	25mm x 127mm (1" x 5")



Rectal

Soft tissue retraction to expose bowel.

RECTAL (Radiopaque)

PART #	ITEM DESCRIPTION
SL46187	13mm x 117mm (½" x 4 ½")

Thompson Retractor 

**Call 1-800-227-7543 or visit thompsonsurgical.com
today to request your Free Trial.**

Photo courtesy Dr. Oliver Langer

INDEX:

Product Index by Part Number

Product Index..... 75-81

PART #	DESCRIPTION	PAGE	PART #	DESCRIPTION	PAGE
5844	Rail Extender 15" with 1 Power Rail Clamp.....	47	43900BCW	24" Crossbar with 2 Cam III Joints (8" x 16").....	48
33154	Scope Grip	43	43902AC	Elite III Rail Clamp with 1 Joint 18"	46
33181	Adjustable Scope Grip 5 - 6mm / 10 - 11mm	43	43902ACL	Elite III Rail Clamp with 1 Joint 16"	46
40020RX	Retractor Lite Xe.....	57	43902ACS	Elite III Rail Clamp with 1 Joint 11"	46
40020X	Lite Wand Xe	56	43902IRC	Infinite Height Rail Clamp with 1 Cam III Joint.....	47
40017	Lite Wand II Olympus Adapter.....	57	43902S	Elite III Rail Clamp with 1 3/8" Joint 11"	46
40018	Lite Wand II Wolf Adapter	57	43903AC	Elite III Rail Clamp with 2 Joints 18"	46
40019	Lite Wand II Storz Adapter	57	43903IRC	Infinite Height Rail Clamp with 2 Cam III Joints	47
40024	Lite Clip - Single Use (Radiopaque).....	57	43904AC	Elite III Rail Clamp with 1 Joint 22"	46
41900F	Bilateral Crossbar 7 1/4" x 13 1/2" x 7 1/4"	48	43905AC	Elite III Rail Clamp with 2 Joints 22"	46
41900H	Bilateral Crossbar Hinged 34" (11" x 8 1/2" x 11").....	48	43906AC	Elite III Rail Clamp with 1 Joint 26"	46
41900HL	Bilateral Crossbar Hinged 41 1/2" (14" x 10" x 14").....	48	43907AC	Elite III Rail Clamp with 2 Joints 26"	46
41900PH	Bilateral Crossbar Hinged 34" (11 1/2" x 8 1/2" x 11 1/2").....	48	44012H	12" Extension Arm with Spring Hinge Joint.....	49
41900PHL	Bilateral Crossbar Hinged 41 1/2" (14 1/2" x 10" x 14 1/2").....	48	44012N	12" Straight Arm	49
41917	Rail Extender 14" with 2 Power Rail Clamps Offset	47	44014C	14" Extension Arm with Clip Joint	49
41929	Rail Extender 22" with 2 Power Rail Clamps.....	47	44014HS	12" Extension Arm with Hinge Joint	49
41938	Rail Extender 20" with 1 Power Rail Clamp.....	47	44014LC	12" Extension Arm with Cam Latch Joint.....	49
41950	Thompson Power Rail Clamp	43	44014S	12" Angled Arm (6" x 6").....	49
42100	Circle Joint 1/2" x 1/4"	10-11	44016C	16" Extension Arm with Clip Joint	49
42110C	Cam I Slide-on Joint 1/2" x 1/2"	51	44020C	20" Extension Arm with Clip Joint	49
42125N	Slide-On Joint 1/2" x 1/4"	54	44109B	9" Angled Closure Arm (4 1/2" x 4 1/2").....	51
42126NCP	Clip-On Joint 1/2" x 1/4"	54	44110SP	16" Lower Abdominal Bar (10" x 6").....	50
42133DEN	Laparoscopic Flexible Holder for Elite (or IHRC).....	42	44111SP	18" Lower Abdominal Bar (10" x 8").....	50
42133DN	Laparoscopic Flexible Holder for Power Rail Clamp	42	44112SP	20" Lower Abdominal Bar (14" x 6").....	50
42136F	Scope Grip Bushing 5mm	43	44113B	13" Angled Closure Arm (6 1/2" x 6 1/2").....	51
42136T	Scope Grip Bushing 10mm	43	44115	Hinged Extension Arm 12" x 12".....	49
42137E	Scope Clip 11mm.....	43	44117	17" Angled Arm (10" x 7") (3/8") @ 45°.....	49
42137F	Scope Clip 5mm.....	43	44117N	17" Angled Arm (10" x 7") @ 45°	49
42137S	Scope Clip 7mm.....	43	44118B	18" Angled Closure Arm (9" x 9").....	51
42137T	Scope Clip 10mm.....	43	44118C	18" Straight Arm with 1 Cam Joint	49
42138L	Laparoscopic Articulating Arm for Power Rail Clamp	42	44118N	18" Angled Arm (8" x 10") @ 45°	49
42138LE	Laparoscopic Articulating Arm for Elite (or IHRC)	42	44119	19" Angled Arm (12" x 7") (3/8") @ 45°.....	49
42139E	Rigid Laparoscopic Holder for Elite (or IHRC)	42	44120	20" Angled Arm (10" x 10") @ 45°	49
42139EU	Universal Laparoscopic Rigid Holder for Elite (or IHRC).....	42	44120C	20" Straight Arm with 1 Cam Joint	49
42139U	Universal Laparoscopic Rigid Holder for Power Rail Clamp.....	42	44120N	Straight Arm 20"	49
42160N	Duo Head 3mm/5mm/10mm with Tool Grasp Knob	43	44121B	21" Angled Closure Arm (10 1/2" x 10 1/2").....	51
42520	Fixed 1/2" Handle Weinberg 102mm x 152mm (4" x 6").....	68	44122DB	22" Double Angled Arm (7" x 9" x 7")	51
42521	Fixed 1/2" Handle Weinberg 83mm x 133mm (3 1/4" x 5 1/4").....	68	44124N	24" Angled Arm (8" x 16") @ 45°	49
42522	Fixed 1/2" Handle Weinberg 102mm x 203mm (4" x 8").....	68	44124W	24" Angled Arm (11" x 13") @ 45°	49
43112C	Cam III Serrated Slide-on Joint 1/2" x 1/2".....	51	44126	26" Angled Arm (6" x 20") @ 45°	49
43800	Crossbar with 1 Cam III Joint Mini-Incision	28-29	44128DB	28" Double Angled Arm (7 1/4" x 13 1/2" x 7 1/4")	51
43900BC	24" Crossbar with 2 Cam III Joints (11" x 13").....	48	44200	Extension Arm 7 1/2" x 8 1/2" x 7 1/2"	28-29

PART #	DESCRIPTION	PAGE	PART #	DESCRIPTION	PAGE
44224	Ring Frame Half 13 1/2"	10-11	SL45003LM	Handle 10" (non-angling).....	54
44614LC	14" Extension Arm with Cam Latch Mount.....	49	SL45006CGP	Micro-Adjustable II Clip-on Quick Angle 10".....	53
44615FH	14" Extension Arm with Fixed Hinge Joint	10-11	SL45006CGRP	Micro-Adjustable II Clip-on Quick Angle 15".....	53
50000A3	Instrument Tray Accessory - 3 Compartments 23" x 10 3/4" x 2 1/2".....	58	SL45006STCP	Micro-Adjustable II Clip-on 10 3/4" (non-angling)	53
50000ALR	Instrument Tray - AL Renal Vein Blades.....	59	SL45007CGP	Micro-Adjustable II Clip-on Quick Angle 7 3/4".....	53
50000ALT	Instrument Tray - Anterior Lumbar	59	SL45007PGP	Micro-Adjustable II Clip-on Quick Angle 20".....	53
50000BL	Instrument Tray - 26" x 10" x 5".....	58	SL45007STCP	Micro-Adjustable II Clip-On 8 3/4" (non-angling)	53
50000ERL	Instrument Tray - Expanded Reverse Lip ASA.....	59	SL45007STG	Micro-Adjustable II Slide-on Quick Angle 7 3/4"	53
50000FV	Instrument Tray Insert - Fine Vessel Blades	59	SL45011CGP	Mini Micro-Adjustable II Clip-on Quick Angle 9".....	53
50000G	Instrument Tray - 23" x 11" x 3 1/2".....	58	SL45150A	Concave Lateral 19mm x 55mm (3/4" x 2 1/4").....	71
50000HBP	Instrument Tray Hepatobiliary 22" x 11" x 3 1/2"	58	SL45151A	Concave Lateral 25mm x 50mm (1" x 2")	71
50000L	Instrument Tray Lid.....	59	SL45152A	Concave Lateral 25mm x 85mm (1" x 3 3/8").....	71
50000LW	Instrument Tray - Lite Wand	57	SL45153A	Concave Medial 32mm x 70mm (1 1/4" x 2 3/4").....	71
50000RB	Instrument Tray Insert - Richardson Blades	59	SL45154A	Concave Medial 38mm x 70mm (1 1/2" x 2 3/4").....	71
50000RLT	Reverse Lip ASA.....	59	SL45155A	Concave Medial 38mm x 85mm (1 1/2" x 3 3/8").....	71
50000RV	Instrument Tray Insert - Renal Vein Blades	59	SL45156A	Concave Lateral 25mm x 30mm (1" x 1 1/4")	71
50000U1	Instrument Tray Base - 1 Level 23 1/2" x 10 1/4" x 3".....	59	SL45157A	Concave Lateral 25mm x 40mm (1" x 1 1/2").....	71
60020	T-Handle	52	SL45158A	Concave Lateral 25mm x 60mm (1" x 2 3/8").....	71
60021	Hex Tool 3/16" with T-Handle.....	55	SL45159A	Concave Lateral 25mm x 70mm (1" x 2 3/4").....	71
SL42101	Dual Angle Handle	10-11	SL45212A	Concave Medial 13mm x 50mm (1/2" x 2")	71
SL42102	Free Angle Handle	10-11	SL45214A	Concave Medial 13mm x 75mm (1/2" x 3")	71
SL42126WDP	Cam II Clip-On Dual Angle Handle 8"	55	SL45216A	Concave Medial 13mm x 100mm (1/2" x 4")	71
SL42126WFP	Cam II Clip-On Free Angle Handle 8"	55	SL45222A	Concave Medial 19mm x 50mm (3/4" x 2")	71
SL42126WGLP	Cam II Clip-on Quick Angle 10".....	52	SL45224A	Concave Medial 19mm x 75mm (3/4" x 3")	71
SL42126WGP	Cam II Clip-on Quick Angle 8".....	52	SL45226A	Concave Medial 19mm x 100mm (3/4" x 4")	71
SL42126WHLP	Cam II Clip-on 10" (non-angling).....	52	SL45232A	Concave Medial 25mm x 50mm (1" x 2")	71
SL42126WHP	Cam II Clip-on 8" (non-angling)	52	SL45234A	Concave Medial 25mm x 75mm (1" x 3")	71
SL42127WGP	Cam II Clip-on Quick Angle 8" (3/8").....	52	SL45236A	Concave Medial 25mm x 100mm (1" x 4")	71
SL42128G	Quick Angle Hand Held Adapter	54	SL45640A	Concave Lateral 18mm x 70mm (5/8" x 2 3/4").....	71
SL42139E	S-Lock Rigid Laparoscopic Holder for Elite (or IHRC).....	42	SL45656A	Malleable 25mm x 110mm (1" x 4 1/2")	66
SL42139N	S-Lock Rigid Laparoscopic Holder for Power Rail Clamp.....	42	SL45656AT	Radiolucent Malleable 25mm x 110mm (1" x 4 1/2")	66
SL42161	S-Lock Nathanson Adapter	43	SL45657A	Malleable 13mm x 90mm (1/2" x 3 1/2")	66
SL42191	S-Lock Articulating Arm Small 15 1/2"	22-23	SL45657AT	Radiolucent Malleable 13mm x 90mm (1/2" x 3 1/2")	66
SL42200	Nathanson Hook Sm (5mm) 169mm x 125mm x 12mm (6 5/8" x 5" x 1/2")	43	SL45753AM	Harris Prostate Retractor 8mm (5/8")	72
SL42201	Nathanson Hook Med (5mm) 203mm x 167mm x 16mm (8" x 6 1/2" x 5/8")	43	SL46112	Malleable 51mm x 165mm (2" x 6 1/2")	66
SL42202	Nathanson Hook Lg (5mm) 240mm x 222mm x 21mm (9 1/2" x 8 3/4" x 7/8")	43	SL46113	Malleable 76mm x 165mm (3" x 6 1/2")	66
SL42203	Nathanson Hook Sm (6.5mm) 169mm x 125mm x 12mm (6 5/8" x 5" x 1/2")	43	SL46115	Malleable 13mm x 64mm (1/2" x 2 1/2")	66
SL42204	Nathanson Hook Med (6.5mm) 203mm x 167mm x 16mm (8" x 6 1/2" x 5/8")	43	SL46115ET	Radiolucent Malleable 13mm x 64mm (1/2" x 2 1/2")	66
SL42205	Nathanson Hook Lg (6.5mm) 240mm x 222mm x 21mm (9 1/2" x 8 3/4" x 7/8")	43	SL46116	Malleable 13mm x 152mm (1/2" x 6")	66
SL45003GS	Quick Angle Handle 8"	54	SL46116ET	Radiolucent Malleable 13mm x 152mm (1/2" x 6")	66
SL45003GSL	Quick Angle Handle 10"	54	SL46117	Malleable 13mm x 203mm (1/2" x 8")	66
SL45003L	Handle 8" (non-angling).....	54	SL46117ET	Radiolucent Malleable 13mm x 203mm (1/2" x 8")	66

PART #	DESCRIPTION	PAGE	PART #	DESCRIPTION	PAGE
SL46118	Malleable 25mm x 203mm (1" x 8")	66	SL46142EB	Radiolucent Balfour [with lips] 32mm x 32mm (1 ¼" x 1 ¼") [Anodized]	62
SL46118A	Malleable 25mm x 254mm (1" x 10")	66	SL46142ET	Radiolucent Balfour [with lips] 32mm x 32mm (1 ¼" x 1 ¼")	62
SL46118B	Malleable 38mm x 254mm (1 ½" x 10")	66	SL46142P	Balfour [with lips] 51mm x 54mm (2" x 2")	62
SL46118ET	Radiolucent Malleable 25mm x 203mm (1" x 8")	66	SL46142PEB	Radiolucent Balfour [with lips] 51mm x 51mm (2" x 2") [Anodized]	62
SL46118P	Malleable 25mm x 102mm (1" x 4")	66	SL46143	Fenestrated 44mm x 89mm (1 ¾" x 3 ½")	67
SL46118PET	Radiolucent Malleable 25mm x 102mm (1" x 4")	66	SL46144	Fenestrated 48mm x 127mm (1 ⅞" x 5")	67
SL46118R	Malleable Renal 25mm x 203mm (1" x 8")	68	SL46145	Splanchnich 51mm x 114mm (2" x 4 ½")	67
SL46118RET	Radiolucent Long Neck Renal 25mm x 203mm (1" x 8")	69	SL46145ET	Radiolucent Splanchnich 51mm x 115mm (2" x 4 ½")	67
SL46119	Malleable 25mm x 127mm (1" x 5")	66	SL46146	Splanchnich 51mm x 152mm (2" x 6")	67
SL46119B	Concave Round Neck Renal 25mm x 140mm (1" x 5 ½")	69	SL46146ET	Radiolucent Splanchnich 51mm x 152mm (2" x 6")	67
SL46119BET	Radiolucent Malleable Round Neck Renal 25mm x 140mm (1" x 5 ½")	69	SL46147ET	Radiolucent Splanchnich 51mm x 203mm (2" x 8)	67
SL46119C	Concave Round Neck Renal 25mm x 191mm (1" x 7 ½")	69	SL46148ET	Radiolucent Splanchnich 25mm x 152mm (1" x 6")	67
SL46119CET	Radiolucent Malleable Round Neck Renal 25mm x 190mm (1" x 7 ½")	69	SL46149	Richardson 44mm x 51mm (1 ¾" x 2")	64
SL46119RET	Radiolucent Long Neck Renal 25mm x 140mm (1" x 5 ½")	69	SL46150	Richardson 51mm x 102mm (2" x 4")	64
SL46120	Malleable 38mm x 102mm (1 ½" x 4")	66	SL46150ET	Radiolucent Richardson 51mm x 102mm (2" x 4")	64
SL46120A	Malleable 38mm x 127mm (1 ½" x 5")	66	SL46151	Richardson 51mm x 127mm (2" x 5")	64
SL46120B	Malleable 38mm x 152mm (1 ½" x 6")	66	SL46152	Richardson 51mm x 152mm (2" x 6")	64
SL46120RET	Radiolucent Long Neck Renal 25mm x 190mm (1" x 7 ½")	69	SL46153	Richardson 51mm x 178mm (2" x 7")	64
SL46121RET	Radiolucent Long Neck Renal 25mm x 255mm (1" x 10")	69	SL46154	Richardson 51mm x 76mm (2" x 3")	64
SL46122	Malleable 51mm x 203mm (2" x 8")	66	SL46154ET	Radiolucent Richardson 51mm x 76mm (2" x 3")	64
SL46122A	Malleable 51mm x 254mm (2" x 10")	66	SL46155	Mini-Open Richardson 51mm x 76mm (2" x 3")	65
SL46122AET	Radiolucent Malleable 51mm x 254mm (2" x 10")	66	SL46156	Mini-Open Richardson 51mm x 102mm (2" x 4")	65
SL46122ET	Radiolucent Malleable 51mm x 203mm (2" x 8")	66	SL46157	Mini-Open Richardson 51mm x 127mm (2" x 5")	65
SL46122P	Malleable 51mm x 102mm (2" x 4")	66	SL46158	Mini-Open Richardson 51mm x 152mm (2" x 6")	65
SL46122RET	Radiolucent Long Neck Renal 25mm x 305mm (1" x 12")	69	SL46159ET	Radiolucent Splanchnich 25mm x 203mm (1" x 8")	67
SL46122V	Malleable Slotted 51mm x 203mm (2" x 8")	66	SL46160	Harrington 64mm x 152mm (2 ½" x 6")	68
SL46123	Malleable 38mm x 203mm (1 ½" x 8")	66	SL46160ET	Radiolucent Harrington 64mm x 152mm (2 ½" x 6")	68
SL46124	Malleable 64mm x 254mm (2 ½" x 10")	66	SL46161	Harrington 114mm x 254mm (4 ½" x 10")	68
SL46124ET	Radiolucent Malleable 64mm x 254mm (2 ½" x 10")	66	SL46162P	Harrington 38mm x 127mm (1 ½" x 5")	68
SL46125	Richardson 19mm x 25mm (¾" x 1")	65	SL46163	Harrington 64mm x 203mm (2 ½" x 8")	68
SL46125A	Richardson 19mm x 51mm (¾" x 2")	65	SL46163ET	Radiolucent Harrington 64mm x 203mm (2 ½" x 8")	68
SL46126	Richardson 25mm x 32mm (1" x 1¼")	65	SL46164	Harrington 64mm x 254mm (2 ½" x 10")	68
SL46127	Kelly 38mm x 51mm (1 ½" x 2")	64	SL46164ET	Radiolucent Harrington 64mm x 254mm (2 ½" x 10")	68
SL46127ET	Radiolucent Kelly 38mm x 51mm (1 ½" x 2")	64	SL46165	Harrington 64mm x 102mm (2 ½" x 4")	68
SL46128	Kelly 51mm x 64mm (2" x 2 ½")	64	SL46165ET	Radiolucent Harrington 64mm x 102mm (2 ½" x 4")	68
SL46128ET	Radiolucent Kelly 51mm x 64mm (2" x 2 ½")	64	SL46170	Deaver 25mm x 127mm (1" x 5")	68
SL46137	Holtgrewe 60mm x 152mm (2" x 6")	72	SL46170ET	Radiolucent Deaver 25mm x 127mm (1" x 5")	68
SL46139	"Y" Bladder 81mm x 216mm (3 ⅛" x 8 ½")	72	SL46172	Deaver 38mm x 127mm (1 ½" x 5")	68
SL46140ET	Radiolucent Balfour [with lips] 65mm x 72mm (2 ½" x 2 ¾")	62	SL46172ET	Radiolucent Deaver 38mm x 127mm (1 ½" x 5")	68
SL46140P	Balfour [with lips] 76mm x 51mm (3" x 2")	62	SL46174	Deaver 51mm x 127mm (2" x 5")	68
SL46141ET	Radiolucent Balfour [with lips] 83mm x 70mm (3 ¼" x 2 ¾")	62	SL46174ET	Radiolucent Deaver 51mm x 127mm (2" x 5")	68
SL46142	Balfour [with lips] 32mm x 32mm (1 ¼" x 1 ¼")	62	SL46176ET	Radiolucent Deaver 76mm x 127mm (3" x 5")	68

PART #	DESCRIPTION	PAGE	PART #	DESCRIPTION	PAGE
SL46178ET	Radiolucent Deaver 100mm x 127mm (4" x 5").....	68	SL46267RET	Brau Reverse Lip 25mm x 170mm (1" x 6 5/8").....	70
SL46180	Heany 25mm x 102mm (1" x 4").....	73	SL46268RET	Brau Reverse Lip 25mm x 180mm (1" x 7").....	70
SL46182	Heany 25mm x 127mm (1" x 5").....	73	SL46269RET	Brau Reverse Lip 25mm x 190mm (1" x 7 1/2").....	70
SL46185	Hill-Ferguson 32mm x 76mm (1 1/4" x 3").....	73	SL46270RET	Brau Reverse Lip 25mm x 200mm (1" x 7 7/8").....	70
SL46186	Hill-Ferguson 25mm x 64mm (1" x 2 1/2").....	73	SL46270TET	Brau Reverse Lip Tapered 25mm x 200mm (1" x 7 7/8").....	70
SL46187	Rectal 13mm x 117mm (1/2" x 4 1/2").....	73	SL46271RET	Brau Reverse Lip 25mm x 210mm (1" x 8 1/4").....	70
SL46190	Double Bladed 76mm x 114mm (3" x 4 1/2").....	72	SL46272RET	Brau Reverse Lip 25mm x 220mm (1" x 8 5/8").....	70
SL46191	Malleable Finger 152mm (6").....	67	SL46273RET	Brau Reverse Lip 25mm x 230mm (1" x 9").....	70
SL46191ET	Radiolucent Malleable Finger 152mm (6").....	67	SL46274RET	Brau Reverse Lip 25mm x 240mm (1" x 9 1/2").....	70
SL46191L	Malleable Finger 203mm (8").....	67	SL46275RET	Brau Reverse Lip 25mm x 250mm (1" x 9 7/8").....	70
SL46191P	Malleable Finger 102mm (4").....	67	SL46275TET	Brau Reverse Lip Tapered 25mm x 250mm (1" x 9 7/8").....	70
SL46191SP	Malleable Finger 76mm (3").....	67	SL46280RET	Brau Reverse Lip 32mm x 100mm (1 1/4" x 4").....	70
SL46192	Bladder Blade 35mm x 89mm (1 3/8" x 3 1/2").....	72	SL46281RET	Brau Reverse Lip 32mm x 110mm (1 1/4" x 4 3/8").....	70
SL46192ET	Brau Reverse Lip Malleable 25mm x 200mm (1" x 7 7/8").....	70	SL46282RET	Brau Reverse Lip 32mm x 120mm (1 1/4" x 4 3/4").....	70
SL46193ET	Brau Reverse Lip Malleable 32mm x 200mm (1 1/4" x 7 7/8").....	70	SL46283RET	Brau Reverse Lip 32mm x 130mm (1 1/4" x 5 1/8").....	70
SL46202	Malleable Slotted 51mm x 165mm (2" x 6 1/2").....	66	SL46284RET	Brau Reverse Lip 32mm x 140mm (1 1/4" x 5 1/2").....	70
SL46210	Volkman Sharp 6 Prong - 25mm x 13mm (1" x 1/2").....	71	SL46285RET	Brau Reverse Lip 32mm x 150mm (1 1/4" x 5 7/8").....	70
SL46211	Volkman Blunt 6 Prong - 25mm x 13mm (1" x 1/2").....	71	SL46286RET	Brau Reverse Lip 32mm x 160mm (1 1/4" x 6 1/4").....	70
SL46212	Volkman Sharp 4 Prong - 16mm x 13mm (5/8" x 1/2").....	71	SL46287RET	Brau Reverse Lip 32mm x 170mm (1 1/4" x 6 5/8").....	70
SL46213	Volkman Blunt 4 Prong - 16mm x 13mm (5/8" x 1/2").....	71	SL46288RET	Brau Reverse Lip 32mm x 180mm (1 1/4" x 7").....	70
SL46214	Murphy Sharp 4 Prong - 25mm x 13mm (1" x 1/2").....	71	SL46289RET	Brau Reverse Lip 32mm x 190mm (1 1/4" x 7 1/2").....	70
SL46215	Murphy Blunt 4 Prong - 25mm x 13mm (1" x 1/2").....	71	SL46290RET	Brau Reverse Lip 32mm x 200mm (1 1/4" x 7 7/8").....	70
SL46216	Murphy Sharp 3 Prong - 19mm x 13mm (3/4" x 1/2").....	71	SL46291RET	Brau Reverse Lip 32mm x 210mm (1 1/4" x 8 1/4").....	70
SL46217	Murphy Blunt 3 Prong - 19mm x 13mm (3/4" x 1/2").....	71	SL46292RET	Brau Reverse Lip 32mm x 220mm (1 1/4" x 8 5/8").....	70
SL46220	Mini-Open Malleable 25mm x 75mm (1" x 3").....	65	SL46293RET	Brau Reverse Lip 32mm x 230mm (1 1/4" x 9").....	70
SL46221	Mini-Open Malleable 25mm x 100mm (1" x 4").....	65	SL46294RET	Brau Reverse Lip 32mm x 240mm (1 1/4" x 9 1/2").....	70
SL46222	Mini-Open Malleable 25mm x 125mm (1" x 5").....	65	SL46295RET	Brau Reverse Lip 32mm x 250mm (1 1/4" x 9 7/8").....	70
SL46224	Mini-Open Double Angled 51mm x 127mm (2" x 5").....	65	SL46420ET	Radiolucent Richardson 50mm x 40mm (2" x 1 1/2").....	64
SL46225	Mini-Open Double Angled 51mm x 152mm (2" x 6").....	65	SL46422ET	Radiolucent Richardson 50mm x 60mm (2" x 2 3/8").....	64
SL46226	Mini-Open Double Angled 51mm x 165mm (2" x 6 1/2").....	65	SL46424ET	Radiolucent Richardson 50mm x 80mm (2" x 3 1/8").....	64
SL46227	Mini-Open Deep Double Angled 51mm x 127mm (2" x 5").....	65	SL46426ET	Radiolucent Richardson 50mm x 100mm (2" x 4").....	64
SL46258RET	Brau Reverse Lip 25mm x 80mm (1" x 3 1/8").....	70	SL46428ET	Radiolucent Richardson 50mm x 120mm (2" x 4 3/4").....	64
SL46259RET	Brau Reverse Lip 25mm x 90mm (1" x 3 1/2").....	70	SL46430ET	Radiolucent Richardson 50mm x 140mm (2" x 5 1/2").....	64
SL46260RET	Brau Reverse Lip 25mm x 100mm (1" x 4").....	70	SL46432ET	Radiolucent Richardson 50mm x 160mm (2" x 6 1/4").....	64
SL46260TET	Brau Reverse Lip Tapered 25mm x 100mm (1" x 4").....	70	SL46434ET	Radiolucent Richardson 50mm x 180mm (2" x 7").....	64
SL46261RET	Brau Reverse Lip 25mm x 110mm (1" x 4 3/8").....	70	SL46436ET	Radiolucent Richardson 50mm x 200mm (2" x 7 7/8").....	64
SL46262RET	Brau Reverse Lip 25mm x 120mm (1" x 4 3/4").....	70	SL46437ET	Radiolucent Richardson 50mm x 210mm (2" x 8 1/4").....	64
SL46263RET	Brau Reverse Lip 25mm x 130mm (1" x 5 1/8").....	70	SL46438ET	Radiolucent Richardson 50mm x 220mm (2" x 8 5/8").....	64
SL46264RET	Brau Reverse Lip 25mm x 140mm (1" x 5 1/2").....	70	SL46439ET	Radiolucent Richardson 50mm x 230mm (2" x 9").....	64
SL46265RET	Brau Reverse Lip 25mm x 150mm (1" x 5 7/8").....	70	SL46440ET	Radiolucent Richardson 50mm x 240mm (2" x 9 1/2").....	64
SL46265TET	Brau Reverse Lip Tapered 25mm x 150mm (1" x 5 7/8").....	70	SL46441ET	Radiolucent Richardson 50mm x 250mm (2" x 9 7/8").....	64
SL46266RET	Brau Reverse Lip 25mm x 160mm (1" x 6 1/4").....	70	SL46558	Radiolucent Concave Short Neck Renal 25mm x 80mm (1" x 3 1/8").....	69

PART #	DESCRIPTION	PAGE	PART #	DESCRIPTION	PAGE
SL46559	Radiolucent Concave Short Neck Renal 25mm x 90mm (1" x 3 1/2")	69	SO46124AV	Malleable Slotted 76mm x 203mm (3" x 8")	66
SL46560	Radiolucent Concave Short Neck Renal 25mm x 100mm (1" x 4")	69	SO46124B	Malleable 102mm x 254mm (4" x 10")	66
SL46561	Radiolucent Concave Short Neck Renal 25mm x 110mm (1" x 4 3/8")	69	SO46124BET	Radiolucent Malleable 102mm x 254mm (4" x 10")	66
SL46562	Radiolucent Concave Short Neck Renal 25mm x 120mm (1" x 4 3/4")	69	SO46129	Kelly 64mm x 76mm (2 1/2" x 3")	64
SL46563	Radiolucent Concave Short Neck Renal 25mm x 130mm (1" x 5 1/8")	69	SO46129ET	Radiolucent Kelly 64mm x 76mm (2 1/2" x 3")	64
SL46564	Radiolucent Concave Short Neck Renal 25mm x 140mm (1" x 5 1/2")	69	SO46130	Kelly 76mm x 89mm (3" x 3 1/2")	64
SL46565	Radiolucent Concave Short Neck Renal 25mm x 150mm (1" x 5 7/8")	69	SO46130ET	Radiolucent Kelly 76mm x 89mm (3" x 3 1/2")	64
SL46566	Radiolucent Concave Short Neck Renal 25mm x 160mm (1" x 6 1/4")	69	SO46134	Fence 102mm x 102mm (4" x 4")	64
SL46567	Radiolucent Concave Short Neck Renal 25mm x 170mm (1" x 6 5/8")	69	SO46134ET	Radiolucent Fence 102mm x 102mm (4" x 4")	64
SL46568	Radiolucent Concave Short Neck Renal 25mm x 180mm (1" x 7")	69	SO46135	Fence 102mm x 127mm (4" x 5")	64
SL46569	Radiolucent Concave Short Neck Renal 25mm x 190mm (1" x 7 1/2")	69	SO46135ET	Radiolucent Fence 102mm x 127mm (4" x 5")	64
SL46570	Radiolucent Concave Short Neck Renal 25mm x 200mm (1" x 7 7/8")	69	SO46136	Fence 102mm x 152mm (4" x 6")	64
SL46571	Radiolucent Concave Short Neck Renal 25mm x 210mm (1" x 8 1/4")	69	SO46136A	Fence 102mm x 203mm (4" x 8")	64
SL46572	Radiolucent Concave Short Neck Renal 25mm x 220mm (1" x 8 5/8")	69	SO46136AET	Radiolucent Fence 102mm x 203mm (4" x 8")	64
SL46573	Radiolucent Concave Short Neck Renal 25mm x 230mm (1" x 9")	69	SO46136ET	Radiolucent Fence 102mm x 152mm (4" x 6")	64
SL46574	Radiolucent Concave Short Neck Renal 25mm x 240mm (1" x 9 1/2")	69	SO46140	Balfour [with lips] 70mm x 73mm (2 3/4" x 3")	62
SL46575	Radiolucent Concave Short Neck Renal 25mm x 250mm (1" x 9 7/8")	69	SO46140C	Balfour [small lips] 70mm x 73mm (2 3/4" x 3")	62
SL46660	Double Angled 25mm x 76mm (1" x 3")	73	SO46140CEB	Radiolucent Balfour [small lips] 65mm x 72mm (2 1/2" x 2 3/4") [Anodized]	62
SL46661	Double Angled 25mm x 64mm (1" x 2 1/2")	73	SO46140CET	Radiolucent Balfour [small lips] 65mm x 72mm (2 1/2" x 2 3/4")	62
SL46662	Double Angled 13mm x 76mm (1/2" x 3")	73	SO46140EB	Radiolucent Balfour [with lips] 65mm x 72mm (2 1/2" x 2 3/4") [Anodized]	62
SL46663	Double Angled 13mm x 70mm (1/2" x 2 3/4")	73	SO46140ET	Radiolucent Balfour [with lips] 65mm x 72mm (2 1/2" x 2 3/4")	62
SL46664	Double Angled Bulb 25mm x 64mm (1" x 2 1/2")	72	SO46141	Balfour [with lips] 83mm x 73mm (3 1/4" x 3")	62
SL82001	Bariatric System	20-21	SO46141C	Balfour [small lips] 83mm x 73mm (3 1/4" x 3")	62
SL82002	Colon / Rectal System	12-13	SO46141CEB	Radiolucent Balfour [small lips] 83mm x 70mm (3 1/4" x 2 3/4") [Anodized]	62
SL82003	General / Vascular System	14-15	SO46141CET	Radiolucent Balfour [small lips] 83mm x 70mm (3 1/4" x 2 3/4")	62
SL82004	HIPEC System	24-25	SO46141D	Balfour [with lips] 83mm x 123mm (3 1/4" x 5")	62
SL82005	Kidney System	30-31	SO46141DEB	Radiolucent Balfour [with lips] 83mm x 127mm (3 1/4" x 5") [Anodized]	62
SL82006	Pediatric System	40-41	SO46141DET	Radiolucent Balfour [with lips] 83mm x 127mm (3 1/4" x 5")	62
SL82007	Liver / Oncology System	26-27	SO46141EB	Radiolucent Balfour [with lips] 83mm x 70mm (3 1/4" x 2 3/4") [Anodized]	62
SL82008	Radiolucent Liver / Oncology System	28-29	SO46141ET	Radiolucent Balfour [with lips] 83mm x 70mm (3 1/4" x 2 3/4")	62
SL82010	GYN System	38-39	SO46141F	Balfour [with lips] 83mm x 175mm (3 1/4" x 6 7/8")	62
SL82011	GYN Oncology System	36-37	SO46151	Richardson 51mm x 127mm (2" x 5")	64
SL82012	Urology System	34-35	SO46151ET	Radiolucent Richardson 51mm x 127mm (2" x 5")	64
SL82013	Urologic Oncology System	32-33	SO46152	Richardson 51mm x 152mm (2" x 6")	64
SL82019	Anterior Lumbar System	8-9	SO46152ET	Radiolucent Richardson 51mm x 152mm (2" x 6")	64
SL82023	Anterior Lumbar Ring System	10-11	SO46153	Richardson 51mm x 178mm (2" x 7")	64
SL82026	AL Advanced MIS Blade Kit	10-11	SO46153ET	Radiolucent Richardson 51mm x 178mm (2" x 7")	64
SL82036	Trauma System	18-19	SO46155	Mini-Open Richardson 51mm x 76mm (2" x 3")	65
SL82037	Small Incision System	16-17	SO46156	Mini-Open Richardson 51mm x 102mm (2" x 4")	65
SL82041	Breast System	22-23	SO46157	Mini-Open Richardson 51mm x 127mm (2" x 5")	65
SO46124A	Malleable 76mm x 254mm (3" x 10")	66	SO46158	Mini-Open Richardson 51mm x 152mm (2" x 6")	65
SO46124AET	Radiolucent Malleable 76mm x 254mm (3" x 10")	66	SO46160ET	Radiolucent Harrington 64mm x 152mm (2 1/2" x 6")	68

PART #	DESCRIPTION	PAGE	PART #	DESCRIPTION	PAGE
SO46170B	Non-Slip Balfour L 77mm x 66mm (3" x 2 1/2")	63			
SO46170BEB	Radiolucent Non-Slip Balfour L 77mm x 66mm (3" x 2 1/2")	63			
SO46170C	Non-Slip Balfour L 77mm x 94mm (3" x 3 3/4")	63			
SO46170CEB	Radiolucent Non-Slip Balfour L 77mm x 94mm (3" x 3 3/4")	63			
SO46171B	Non-Slip Balfour R 77mm x 66mm (3" x 2 1/2")	63			
SO46171BEB	Radiolucent Non-Slip Balfour R 77mm x 66mm (3" x 2 1/2")	63			
SO46171C	Non-Slip Balfour R 77mm x 94mm (3" x 3 3/4").....	63			
SO46171CEB	Radiolucent Non-Slip Balfour R 77mm x 94mm (3" x 3 3/4").....	63			
SO46175	Deaver 64mm x 127mm (2 1/2" x 5").....	68			
SO46175ET	Radiolucent Deaver 64mm x 127mm (2 1/2" x 5").....	68			
SO46176	Deaver 76mm x 127mm (3" x 5").....	68			
SO46176ET	Radiolucent Deaver 76mm x 127mm (3" x 5")	68			
SO46178	Deaver 102mm x 127mm (4" x 5").....	68			
SO46178ET	Radiolucent Deaver 100mm x 127mm (4" x 5").....	68			
SO46187A	St Marks [no lip] 64mm x 178mm (2 1/2" x 7").....	67			
SO46188	St Marks [with lip] 64mm x 178mm (2 1/2" x 7").....	67			
SO46188ET	Radiolucent St Marks [with lip] 64mm x 178mm (2 1/2" x 7")	67			
SO46189	St Marks [with lip] 64mm x 140mm (2 1/2" x 5 1/2").....	67			
SO46189ET	Radiolucent St Marks [with lip] 64mm x 140mm (2 1/2" x 5 1/2").....	67			
SO46203	Malleable Slotted 76mm x 165mm (3" x 6 1/2").....	66			
SO46241A	Wide Balfour [no lips] 83mm x 57mm (3 1/4" x 2 1/4").....	63			
SO46241AEB	Radio. Wide Balfour [no lips] 83mm x 57mm (3 1/4" x 2 1/4") [Anodized]	63			
SO46241B	Wide Balfour [no lips] 100mm x 61mm (4" x 2 3/8").....	63			
SO46241BEB	Radio. Wide Balfour [no lips] 102mm x 57mm (4" x 2 1/4") [Anodized]	63			
SO46241C	Wide Balfour [no lips] 114mm x 63mm (4 1/2" x 2 1/2").....	63			
SO46241CEB	Radio. Wide Balfour [no lips] 114mm x 57mm (4 1/2" x 2 1/4") [Anodized]	63			

This page intentionally left blank

For a Free Trial Call Today*

1.800.227.7543

Rev H
072821
mg gencat



Uncompromised Exposure

VISIT US ONLINE: THOMPSONSURGICAL.COM

CONTACT

Address

Thompson Surgical Instruments, Inc.
10341 E Cherry Bend Rd.
Traverse City, MI 49684
USA

Phone + Fax

Toll Free 1-800-227-7543
Phone 231-922-0177
Fax 231-922-0174

Online

Email contact@thompsonsurgical.com
Website www.thompsonsurgical.com

Social



Thompson
SURGICAL INSTRUMENTS

Made In
USA

* Free trial valid for U.S. customers only. Customers outside the U.S.A., please call +1-231-922-0177 for availability.

© 2021 Thompson Surgical Instruments, Inc. Printed in U.S.A.

© S-Lock®, PLA®, and the "T Circle" logomark are Registered Trademarks of Thompson Surgical Instruments, Inc.

Patents: trpat.com

Note: As we continually strive to provide the best products possible, some of the images in this document may appear slightly different from the product received.